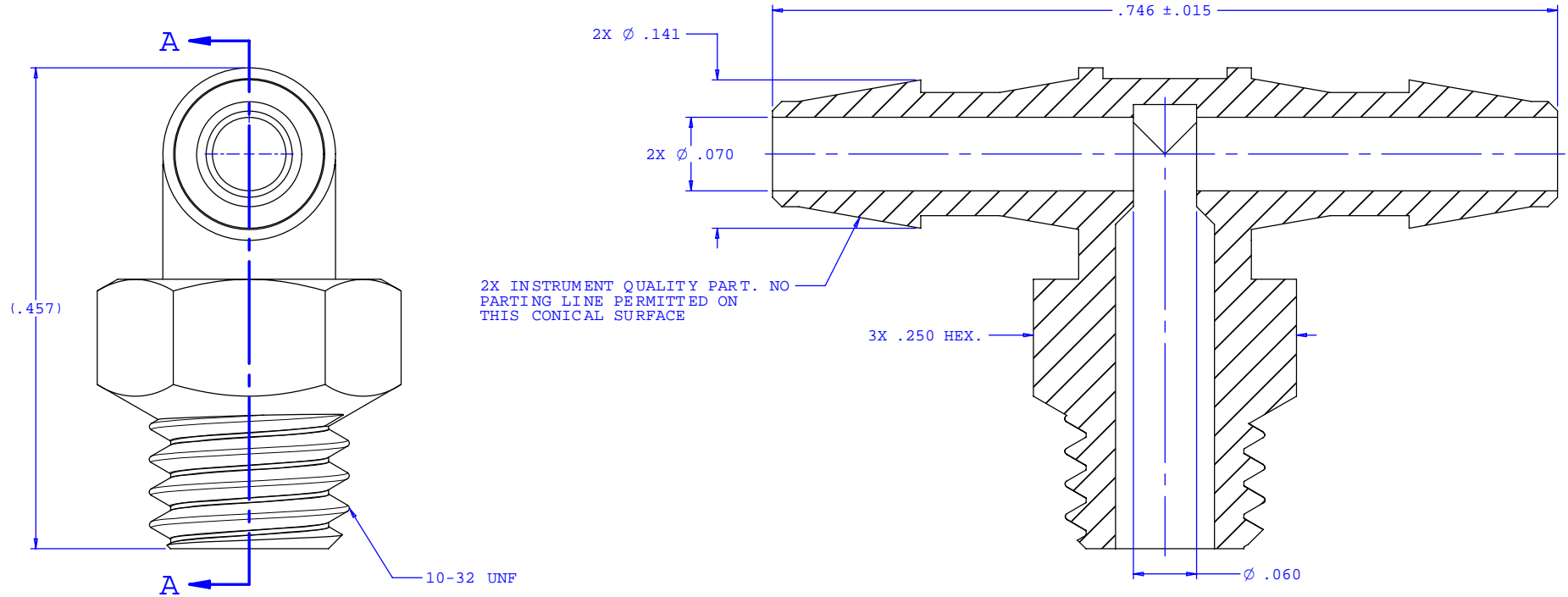
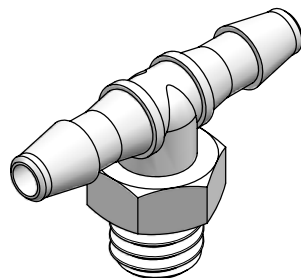


NOTE: FOR MORE DETAILS SEE YOUR V.P. CUSTOMER SERVICE REP.

REVISIONS			
REV.	DESCRIPTION	DATE	APPROVED
A	INITIAL RELEASE	06-22-98	
B	CO 031 Drafting Update	01-17-06	Rick C.



SECTION A-A



UNLESS OTHERWISE SPECIFIED DIMENSIONS ARE IN INCHES TOLERANCES ARE:		<b>VALUE PLASTICS, INC.</b>	
FRACTIONS ±	DECIMALS .XX ±.01 .XXX ±.005 .XXXX ±.001	ANGULAR ±1°	PART NUMBER: <b>KT220</b>
DO NOT SCALE DRAWING		DESCRIPTION: 10-32 UNF Thread Tee with 1/4" Hex to 200 Series Barb, 3/32" (2.25 mm) ID Tubing	
DRAWN BY: <b>Frank Lombardi</b>	DATE: <b>11-05-05</b>	SIZE: <b>B</b>	SCALE: <b>NTS</b>
ENGINEER/MANAGER: <b>Rick Cairns</b>		DRAWING NUMBER: <b>1007799</b>	REV. <b>B</b>
© 2005 VALUE PLASTICS, INC.			SHEET: 1 OF 1

**FOR REFERENCE ONLY**