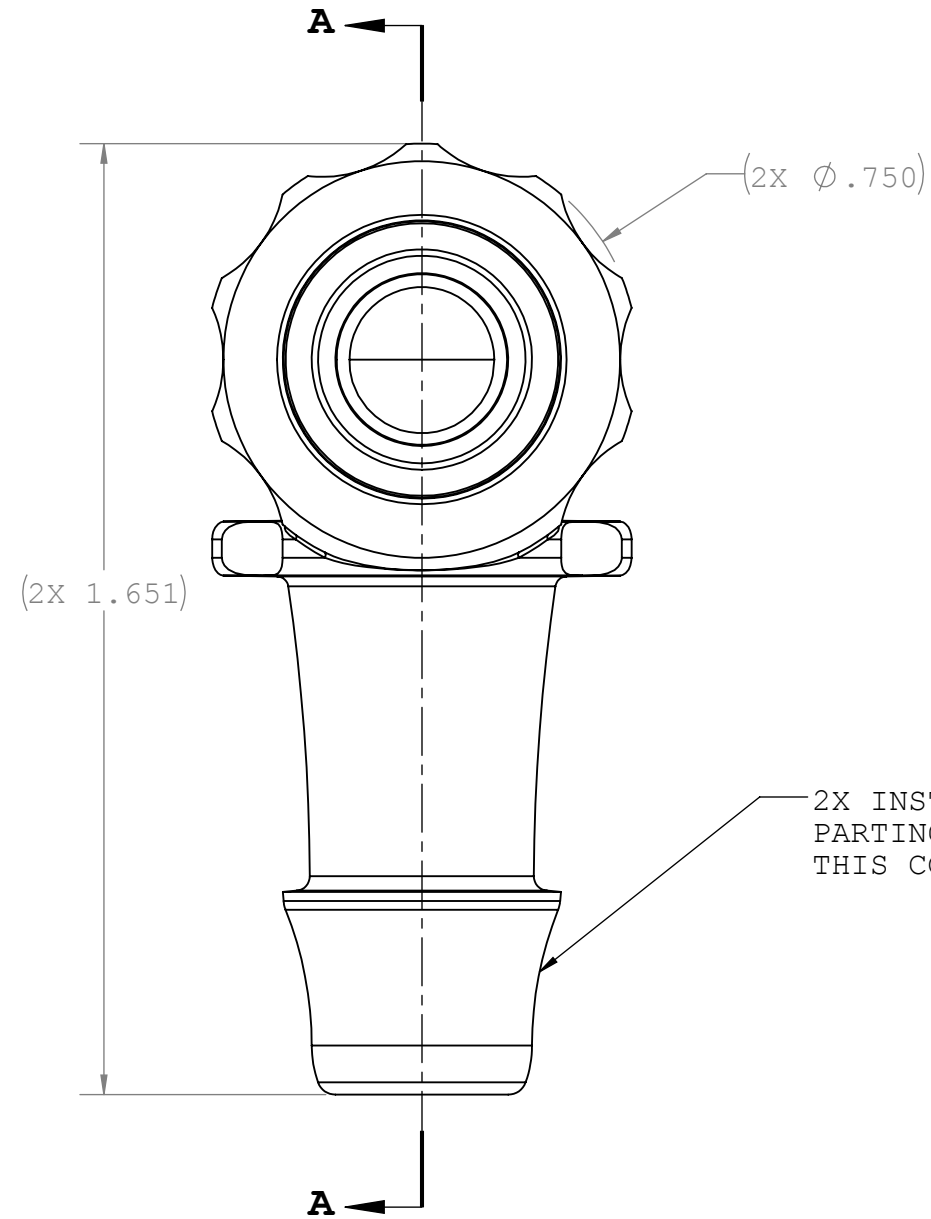
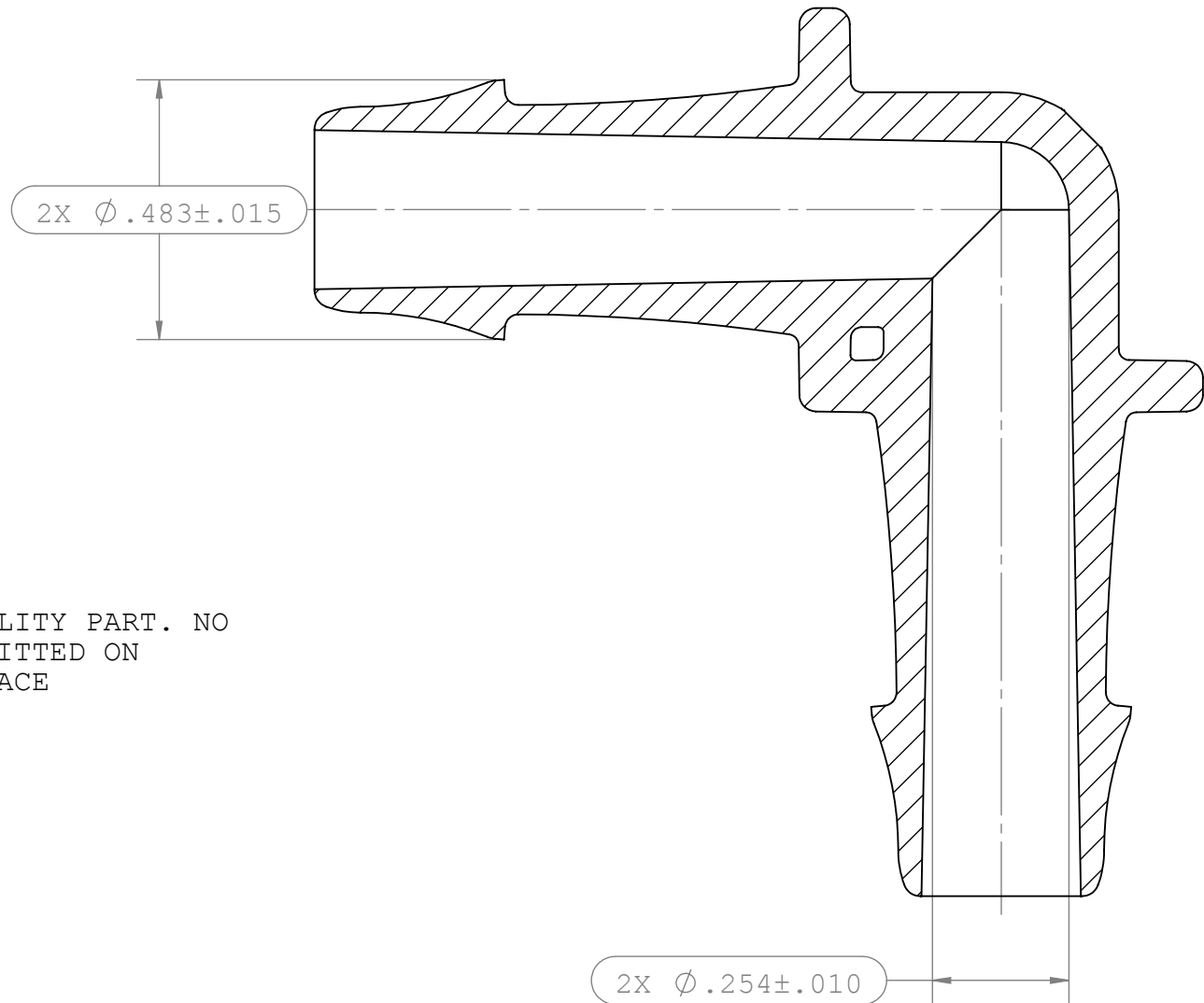


NOTES: FOR ADDITIONAL DETAILS, PLEASE CONTACT VP CUSTOMER SERVICE  
 DIMENSIONS MARKED  ARE CONTROL DIMENSIONS

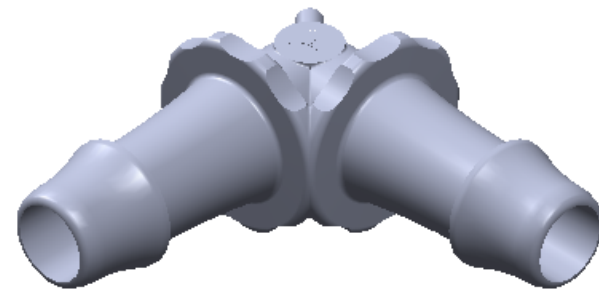
REVISIONS			
REV.	DESCRIPTION	DATE	APPROVED
A	INITIAL RELEASE	02-07-03	
B	CO 046 DRAFTING UPDATE	08-22-06	RICK C.
C	ECO 331	10-03-16	FJL



2X INSTRUMENT QUALITY PART. NO PARTING LINE PERMITTED ON THIS CONICAL SURFACE



**SECTION A-A**



UNLESS OTHERWISE SPECIFIED DIMENSIONS ARE IN INCHES TOLERANCES ARE:		<b>VALUE PLASTICS, INC</b>			
FRACTIONS	DECIMAL				
±	.XX ±.01	± 1°	DESCRIPTION:	ELBOW CONNECTOR WITH 500 SERIES BARBS, 3/8" (9.5 mm) ID TUBING	
	.XXX ±.005		SIZE:	B	
	.XXXX ±.001		SCALE:	NTS	
DO NOT SCALE DRAWING		DATE:	DWG. NO.	1008974	
DRAWN BY:	BRYCE HIRSCHFELD	DATE:	10/3/2016	REV:	C
MANAGER:	LOU HUADONG	© 2014 VALUE PLASTICS, INC		SHEET:	1 OF 1

**FOR REFERENCE ONLY**