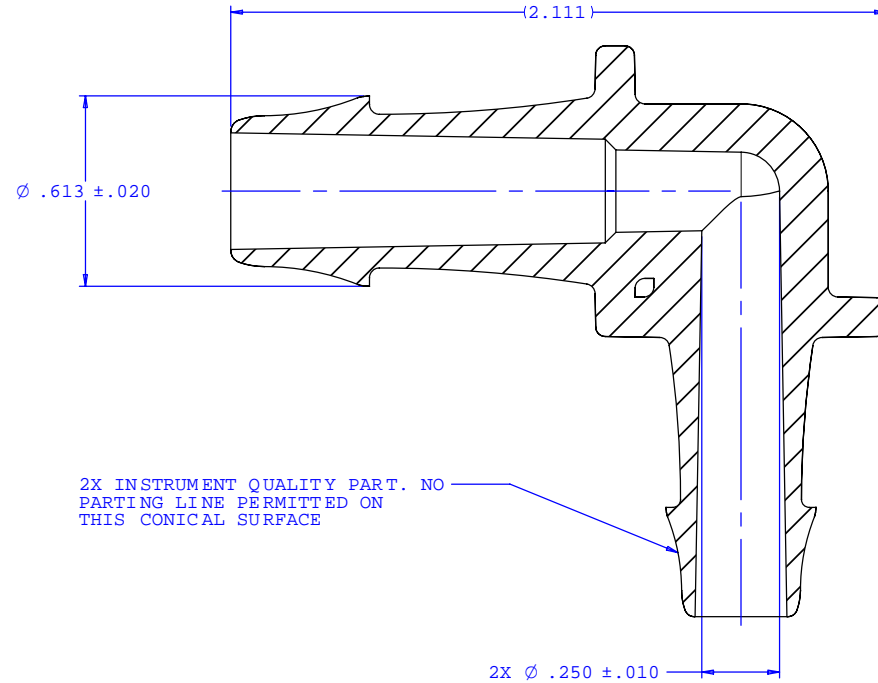
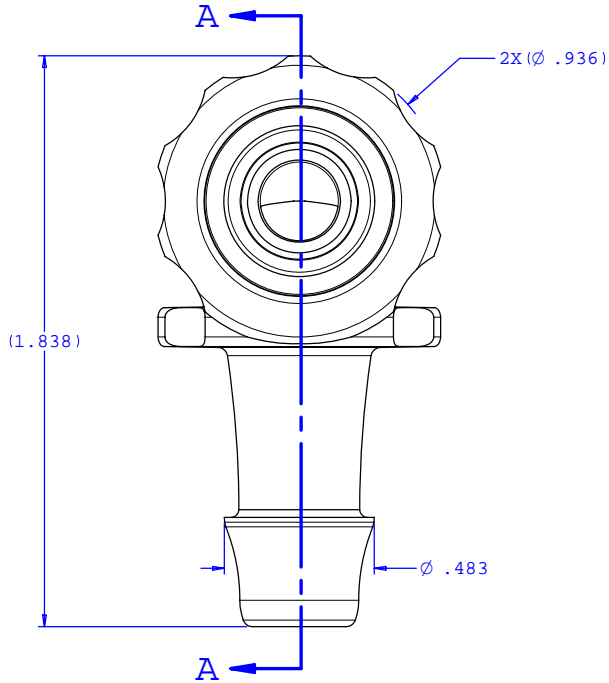
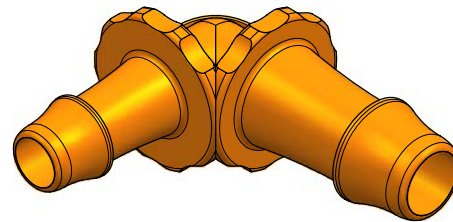


NOTE: FOR MORE DETAILS SEE YOUR V.P. CUSTOMER SERVICE REP.

| REVISIONS | | | |
|-----------|------------------------|----------|----------|
| REV. | DESCRIPTION | DATE | APPROVED |
| A | INITIAL RELEASE | 12-19-02 | |
| B | CO 046 Drafting Update | 08-22-06 | Rick C. |



SECTION A-A



| | | | |
|---|---|--|------------------------------|
| UNLESS OTHERWISE SPECIFIED DIMENSIONS ARE IN INCHES TOLERANCES ARE: | | VALUE PLASTICS, INC. | |
| FRACTIONS ± | DECIMALS .XX ±.01 .XXX ±.005 .XXXX ±.001 | ANGULAR ±1° | PART NUMBER: L080/070 |
| DO NOT SCALE DRAWING | | DESCRIPTION: Elbow Reduction Connector with 500 Series barbs, 1/2" (12.5 mm) and 3/8" (9.5 mm) ID Tubing | |
| DRAWN BY: Frank Lombardi | DATE: 06-10-06 | SIZE: B | SCALE: NTS |
| Engineer/Manager: Rick Cairns | | DRAWING NUMBER: 1008975 | REV. B |
| © 2006 VALUE PLASTICS, INC. | | | SHEET: 1 OF 1 |

FOR REFERENCE ONLY