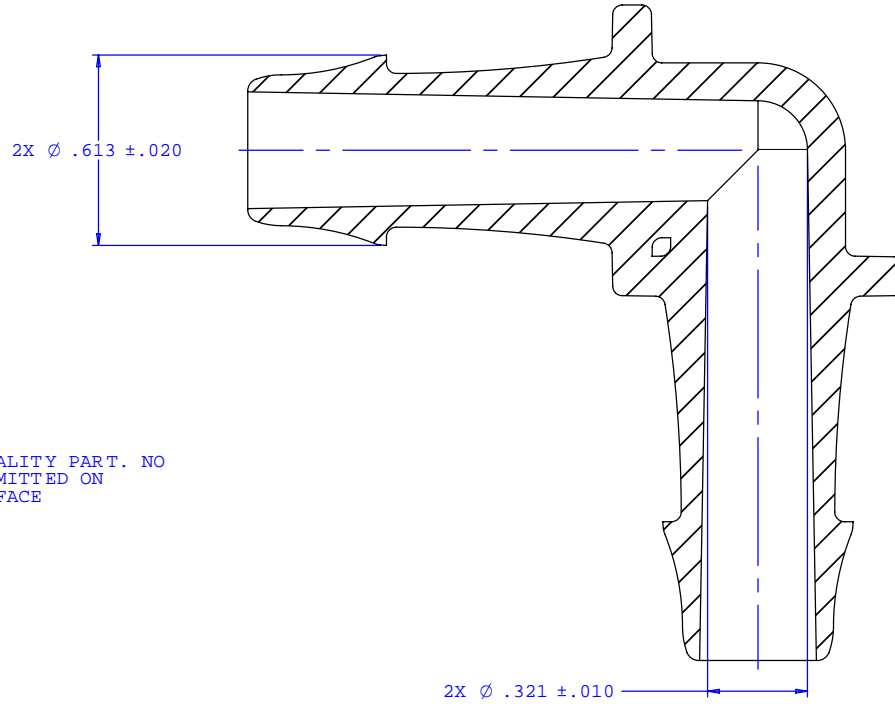
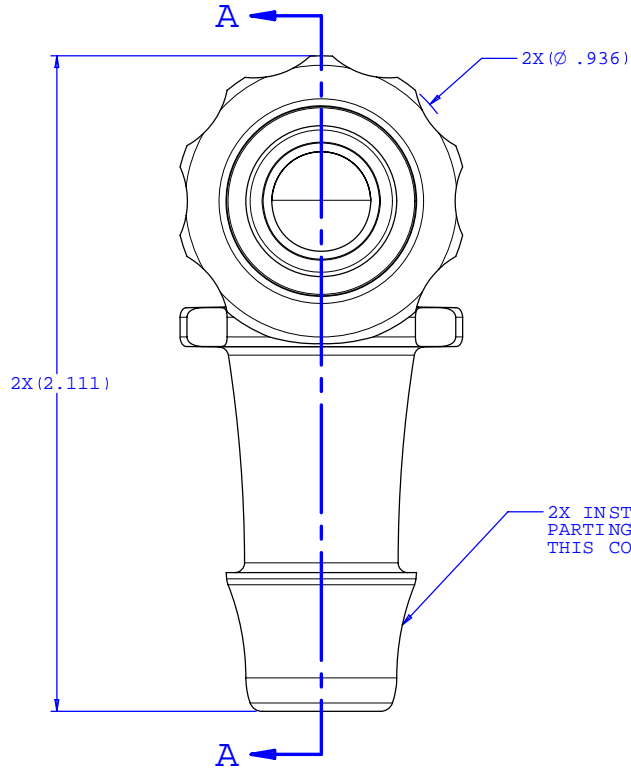
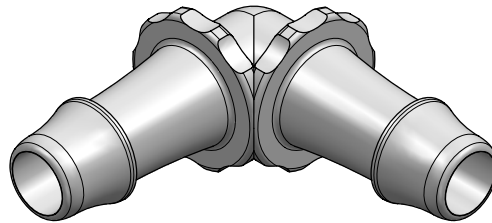


NOTE: FOR MORE DETAILS SEE YOUR V.P. CUSTOMER SERVICE REP.

REVISIONS			
REV.	DESCRIPTION	DATE	APPROVED
A	INITIAL RELEASE	12-19-02	
B	CO 046 Drafting Update	08-22-06	Rick C.



SECTION A-A



UNLESS OTHERWISE SPECIFIED DIMENSIONS ARE IN INCHES TOLERANCES ARE:		VALUE PLASTICS, INC.	
FRACTIONS	DECIMALS	ANGULAR	PART NUMBER: L080
±	.XX ±.01	±1°	DESCRIPTION: Elbow Connector with 500 Series Barbs, 1/2" (12.5 mm) ID Tubing
	.XXX ±.005		SIZE: B SCALE: NTS DRAWING NUMBER: 1008973
	.XXXX ±.001		REV. B
DO NOT SCALE DRAWING		© 2006 VALUE PLASTICS, INC. SHEET: 1 OF 1	
DRAWN BY: Frank Lombardi	DATE: 06-10-06	Engineer/Manager: Rick Cairns	

FOR REFERENCE ONLY