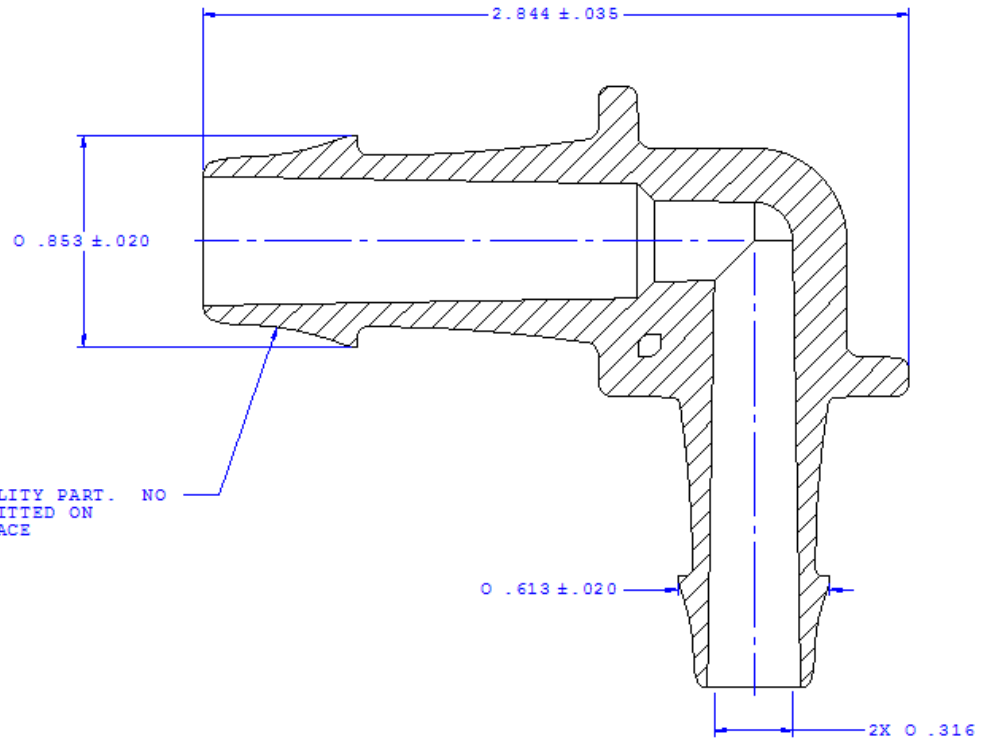
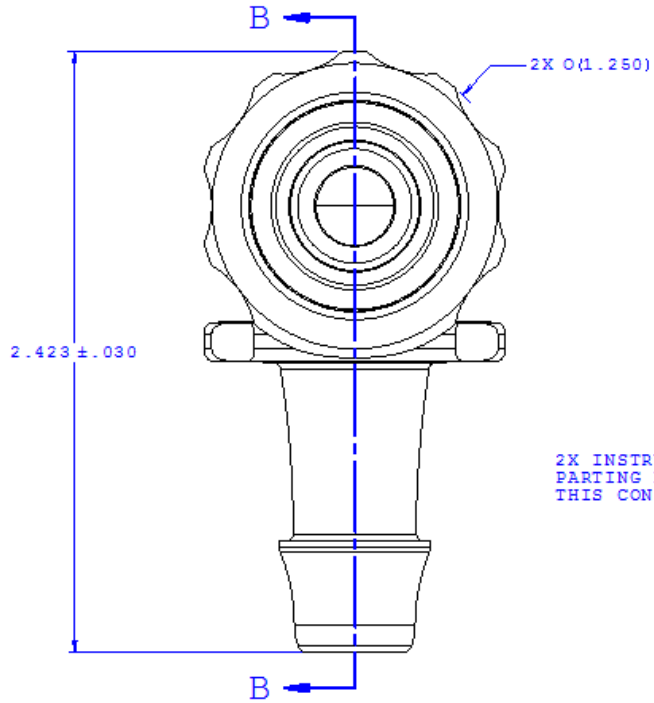


NOTE: FOR MORE DETAILS SEE YOUR V.P. CUSTOMER SERVICE REP.

REVISIONS			
REV.	DESCRIPTION	DATE	APPROVED
A	INITIAL RELEASE	02-11-03	
B	CO 027 Drafting Update	11-16-05	Rick C.



2X INSTRUMENT QUALITY PART. NO PARTING LINE PERMITTED ON THIS CONICAL SURFACE

SECTION B-B



UNLESS OTHERWISE SPECIFIED TOLERANCES ARE AS SHOWN TOLERANCES ARE:		VALUE PLASTICS, INC.	
FRACTIONS	DECIMALS	ANGULAR	PART NUMBER: L100/080
1/2	.001	31°	DESCRIPTION: Elbow Reduction Connector With 500 Series Barbs, 3/4" (19 mm) and 1/2" (12.5 mm) ID Tubing
.XXX	0.005		DATE: 09-13-05
.XXXX	0.001		SCALE: NTS
DO NOT SCALE DRAWING		DRAWING NUMBER: 1007487	REV. B
DRAWN BY: Frank Lombardi	DATE: 09-13-05	© 2005 VALUE PLASTICS, INC. QUANTITY: 1 OF 1	
ENGINEER MANAGER: Rick Cairns			

FOR REFERENCE ONLY