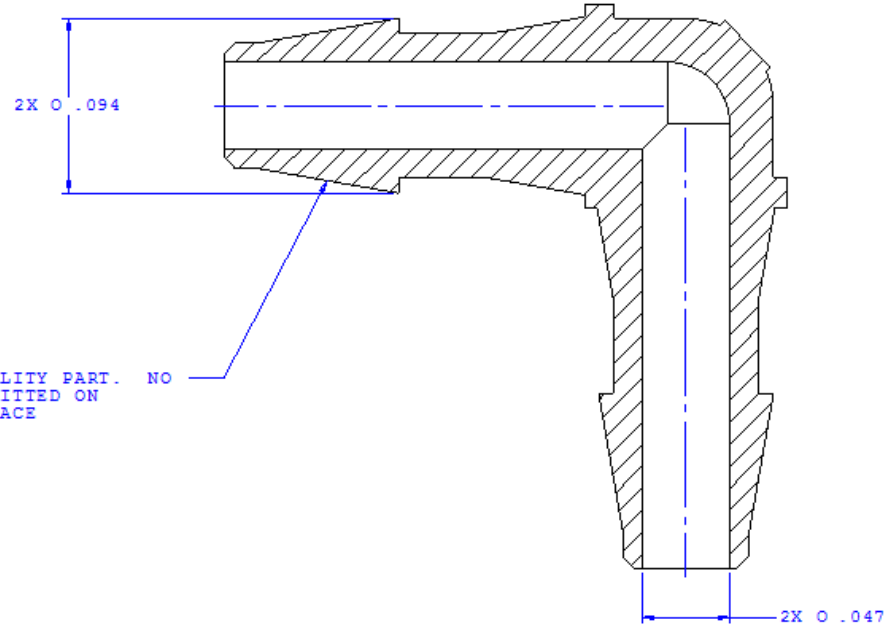
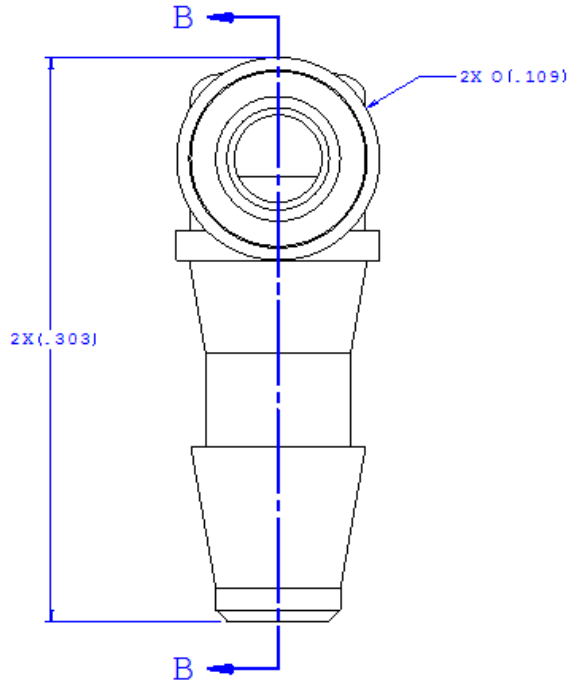


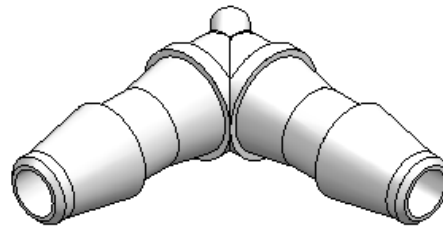
NOTE: FOR MORE DETAILS SEE YOUR V.P. CUSTOMER SERVICE REP.

REVISIONS			
REV.	DESCRIPTION	DATE	APPROVED
A	INITIAL RELEASE	05-03-02	
B	CO 027 Drafting Update	11-16-05	Rick C.



2X INSTRUMENT QUALITY PART. NO PARTING LINE PERMITTED ON THIS CONICAL SURFACE

SECTION B-B



<small>UNLESS OTHERWISE SPECIFIED DIMENSIONS ARE IN INCHES TOLERANCES ARE:</small>		<b>VALUE PLASTICS, INC.</b>	
<small>FRACTIONS</small> <small>D</small>	<small>DECIMALS</small> <small>.XX</small> 0.01 <small>.XXX</small> 0.005 <small>.XXXX</small> 0.001	<small>ANGULAR</small> <small>°</small>	<small>PART NUMBER:</small> L210
<small>DO NOT SCALE DRAWING</small>		<small>DESCRIPTION:</small> Elbow Connector with 200 Series Barbs, 1/16" (1.5 mm) ID Tubing	
<small>DRAWN BY:</small> <b>Frank Lombardi</b>	<small>DATE:</small> <b>09-13-05</b>	<small>SIZE:</small> B <small>SCALE:</small> NTS	<small>DRAWING NUMBER:</small> 1007491 <small>REV.:</small> B
<small>ENGINEER MANAGER:</small> <b>Rick Cairns</b>		<small>© 2005 VALUE PLASTICS, INC.</small>	
		<small>REVISIONS:</small> 1 OF 1	

**FOR REFERENCE ONLY**