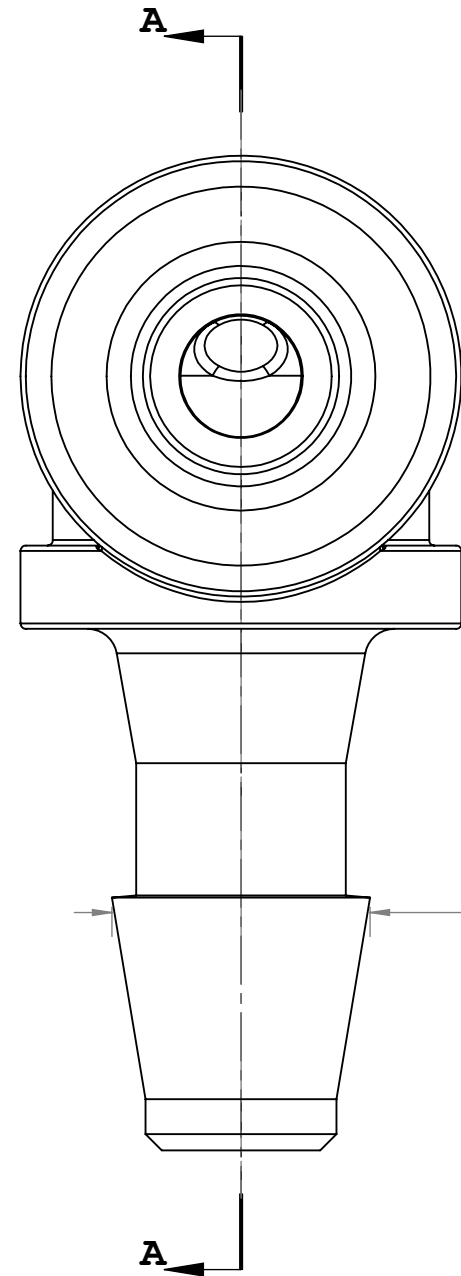
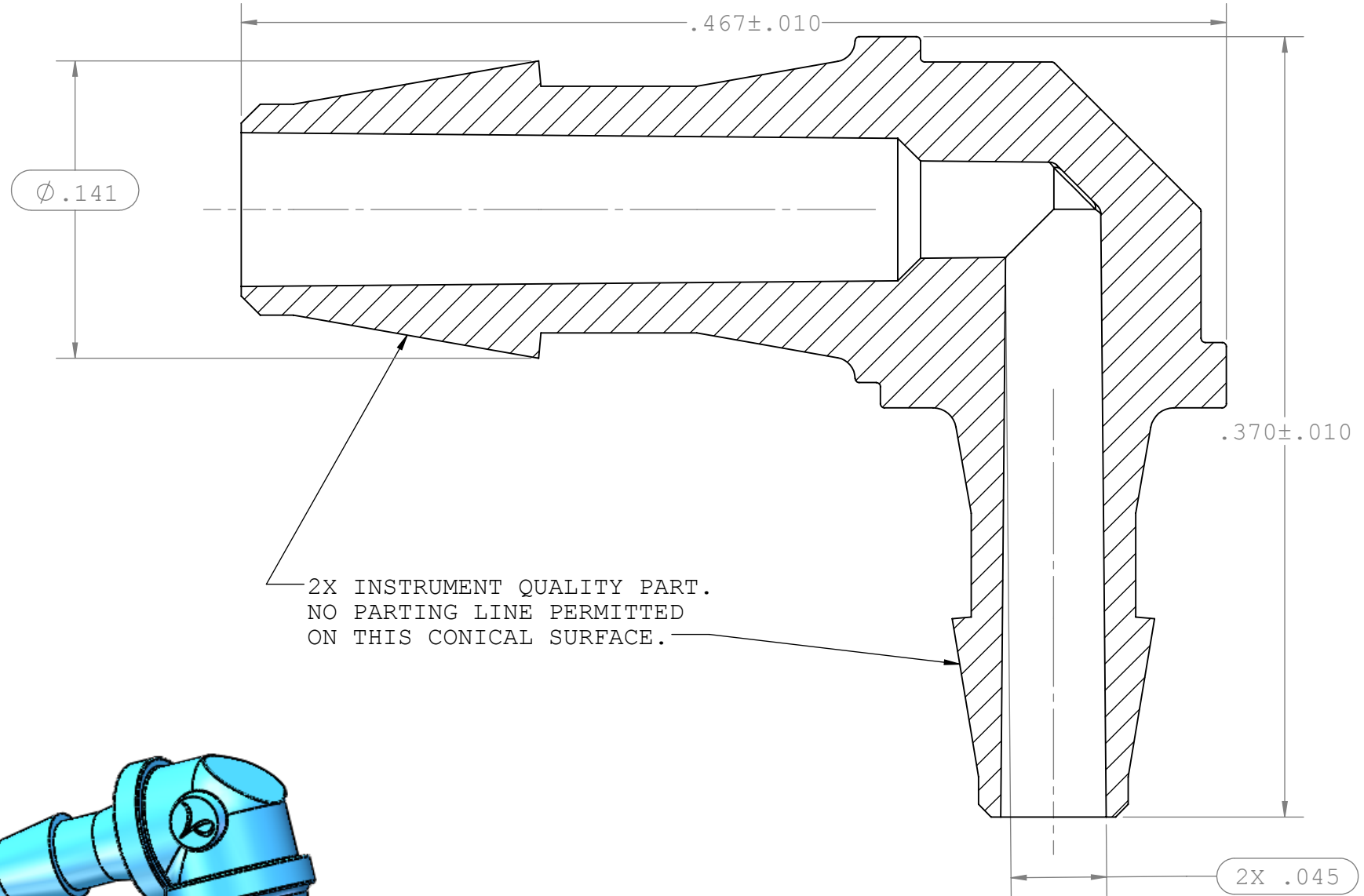


NOTES: FOR ADDITIONAL DETAILS, PLEASE CONTACT VP CUSTOMER SERVICE
 DIMENSIONS MARKED \varnothing ARE CONTROL DIMENSIONS

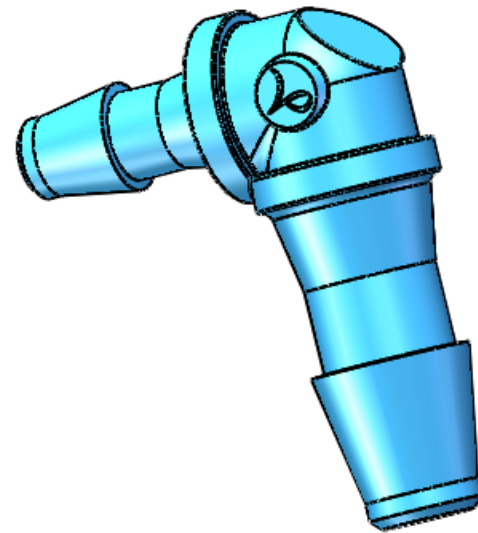
REVISIONS			
REV.	DESCRIPTION	DATE	APPROVED
A	INITIAL RELEASE	01-02-98	
B	CO 027 DRAFTING UPDATE	11-16-08	RICK C.
C	ECO 256	2-28-2014	S.N.R.
D	ECO 291	02-02-15	H.L



$\varnothing .096$



2X INSTRUMENT QUALITY PART.
 NO PARTING LINE PERMITTED
 ON THIS CONICAL SURFACE.



SECTION A-A

UNLESS OTHERWISE SPECIFIED DIMENSIONS ARE IN INCHES TOLERANCES ARE:		VALUE PLASTICS, INC			
FRACTIONS DECIMAL ANGULAR \pm .XX \pm .01 \pm 1° .XXX \pm .005 .XXXX \pm .001 DO NOT SCALE DRAWING		PART NUMBER: L220-210			
		DESCRIPTION: Elbow Reduction Tube Fitting with 200 Series Barbs, 3/32" (2.4 mm) and 1/16" (1.6 mm) ID Tubing			
DRAWN BY: shannond	DATE: 5/28/2015	SIZE: B	SCALE: NTS	VER: 	DWG. NO. 1007493
MANAGER: huadong.lou		© 2011 VALUE PLASTICS, INC			REV D
				SHEET: 1 OF 1	

FOR REFERENCE ONLY