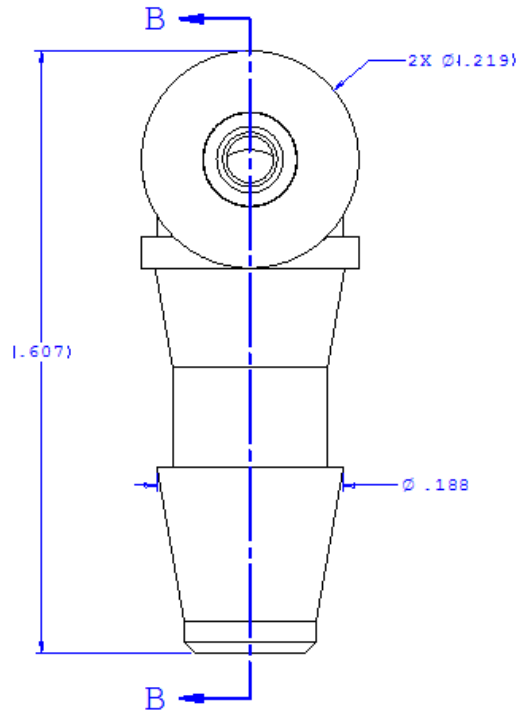
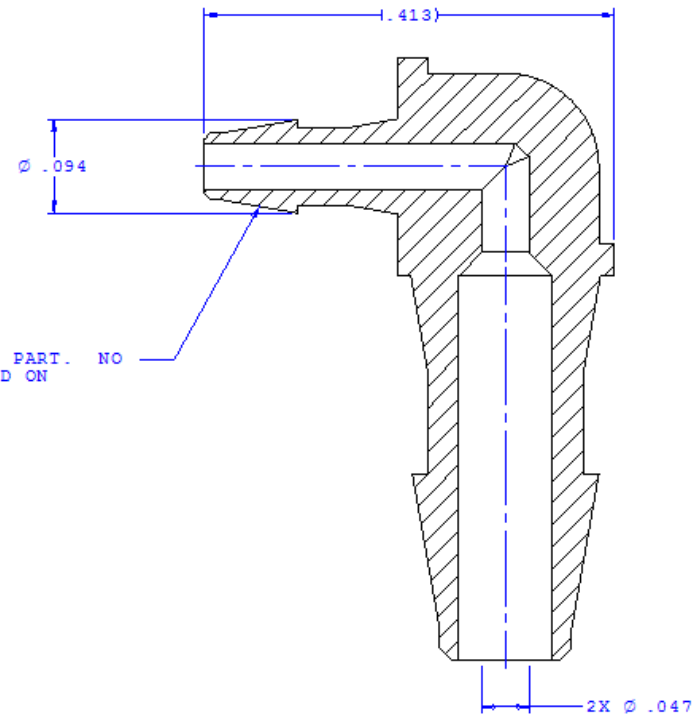


NOTE: FOR MORE DETAILS SEE YOUR V.P.CUSTOMER SERVICE REP.

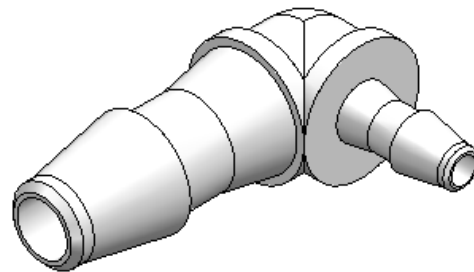
REVISIONS			
REV.	DESCRIPTION	DATE	APPROVED
A	INITIAL RELEASE	01-05-98	
B	CO 027 Drafting Update	11-16-05	Rick C.



2X INSTRUMENT QUALITY PART. NO PARTING LINE PERMITTED ON THIS CONICAL SURFACE



SECTION B-B



UNLESS OTHERWISE SPECIFIED DIMENSIONS ARE IN INCHES TOLERANCES ARE:		VALUE PLASTICS, INC.	
FRACTIONS 2 .XX .XXX .XXXX	DECIMALS 0.01 0.005 0.001	ANGULAR 1°	PART NUMBER: L230/210 DESCRIPTION: Elbow Reduction Connector with 200 Series Barbs, 1/8" (3 mm) and 1/16" (1.5 mm) ID Tubing
DO NOT SCALE DRAWING		DRAWING NUMBER: 1007496	REV. B
DRAFT BY: Frank Lombardi	DATE: 09-13-05	© 2005 VALUE PLASTICS, INC.	QUANTITY: 1 OF 1
ENGINEER MANAGER: Rick Cairns			

FOR REFERENCE ONLY