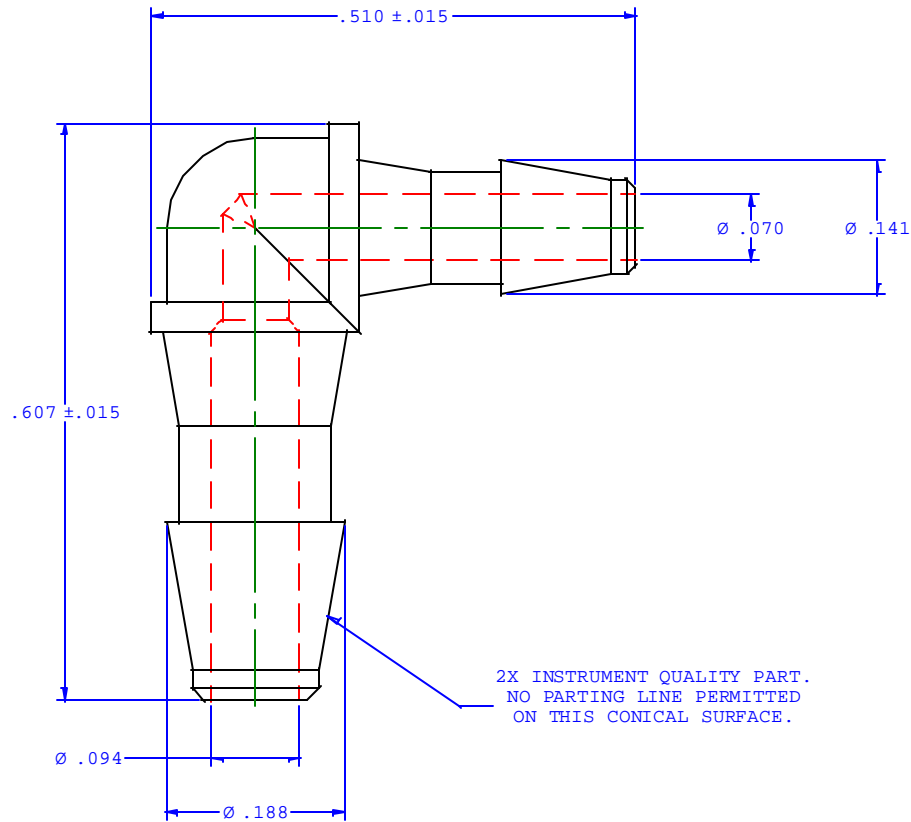


REVISIONS			
REV	DESCRIPTION	DATE	APPROVED



2X INSTRUMENT QUALITY PART.
NO PARTING LINE PERMITTED
ON THIS CONICAL SURFACE.

UNLESS OTHERWISE SPECIFIED DIMENSIONS ARE IN INCHES TOLERANCES ARE:		VALUE PLASTICS, INC.	
FRACTIONS ±	DECIMALS .XX ± .01 .XXX ± .005	ANGULAR ±1°	PART NUMBER: L230/220
DO NOT SCALE DRAWING		DESCRIPTION: Elbow Reduction Connector with 200 Series Barbs, 1/8" (3 mm) and 3/32" (2.25 mm) ID Tubing	
DRAWN BY: SUE CORAM	SCALE: NTS	DRAWING NUMBER:	REV.
DATE: 01/05/98	© 1998 VALUE PLASTICS, INC.		SHEET:

FOR REFERENCE ONLY