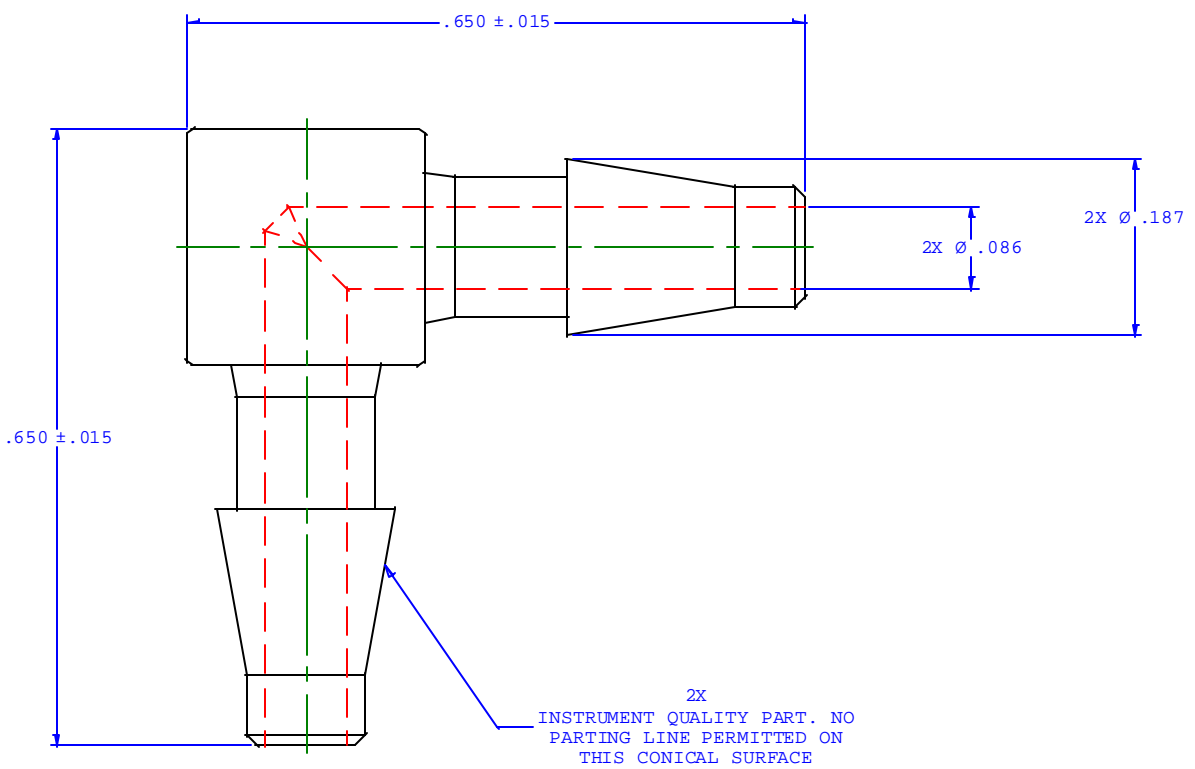


REVISIONS			
REV	DESCRIPTION	DATE	APPROVED



UNLESS OTHERWISE SPECIFIED DIMENSIONS ARE IN INCHES TOLERANCES ARE:		VALUE PLASTICS, INC.	
FRACTIONS ±	DECIMALS .XX ±.01 .XXX ±.005	ANGULAR ±1°	PART NUMBER: L30
DO NOT SCALE DRAWING		DESCRIPTION: Elbow Connector with Classic Series Barbs, 1/8" (3 mm) ID Tubing	
DRAWN BY: SUE CORAM	SCALE: NTS	DRAWING NUMBER:	REV.
DATE: 04/29/98	© 1998 VALUE PLASTICS, INC.		SHEET:

FOR REFERENCE ONLY