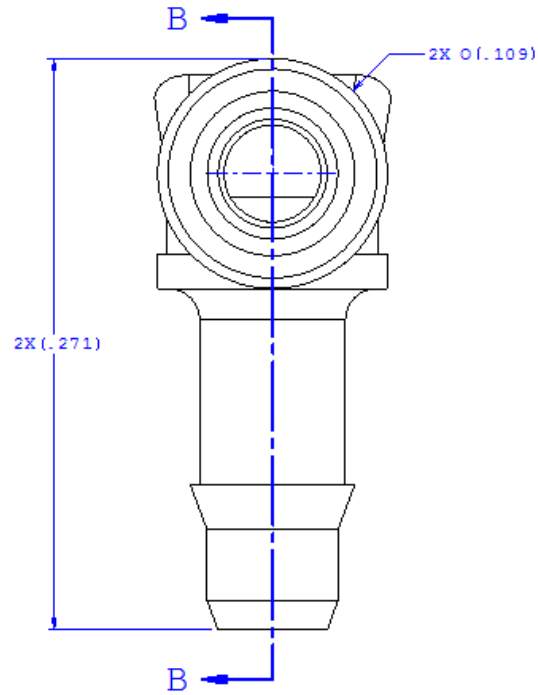
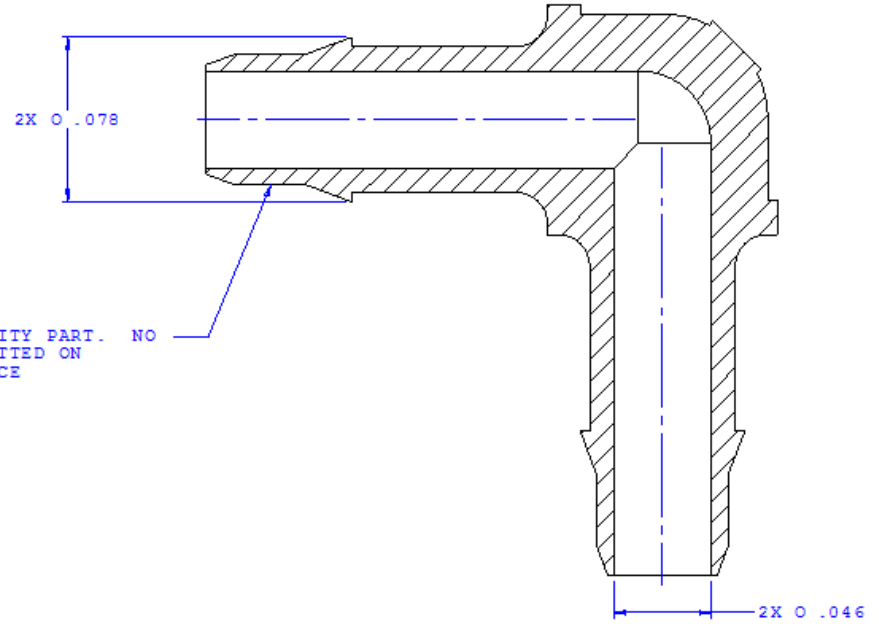


NOTE: FOR MORE DETAILS SEE YOUR V.P. CUSTOMER SERVICE REP.

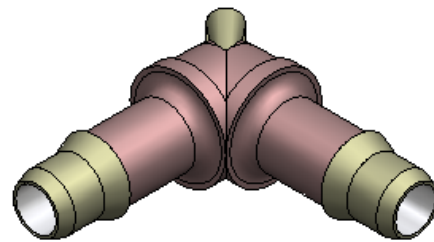
REVISIONS			
REV.	DESCRIPTION	DATE	APPROVED
A	INITIAL RELEASE	11-01-02	
B	CO 027 Drafting Update	11-16-05	Rick C.



2X INSTRUMENT QUALITY PART. NO PARTING LINE PERMITTED ON THIS CONICAL SURFACE



SECTION B-B



UNLESS OTHERWISE SPECIFIED DIMENSIONS ARE IN INCHES TOLERANCES ARE:		<b>VALUE PLASTICS, INC.</b>	
FRACTIONS " .001 .XXX .005 .XXXX .001	DECIMALS .01 .005 .001	ANGULAR 1/2°	PART NUMBER: <b>L410</b> DESCRIPTION: Elbow Connector with 400 Series Barbs, 1/16" (1.5 mm) ID Tubing
DO NOT SCALE DRAWING		SIZE: <b>B</b>	SCALE: <b>NTS</b>
DRAWN BY: <b>Frank Lombardi</b>	DATE: <b>09-13-05</b>	DRAWING NUMBER: <b>1007501</b>	REV.: <b>B</b>
ENGINEER MANAGER: <b>Rick Cairns</b>		© 2005 VALUE PLASTICS, INC.	
		QUANTITY: 1 OF 1	

**FOR REFERENCE ONLY**