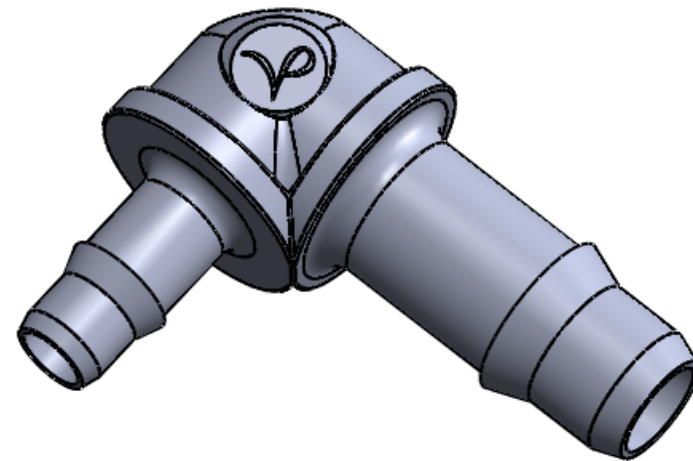
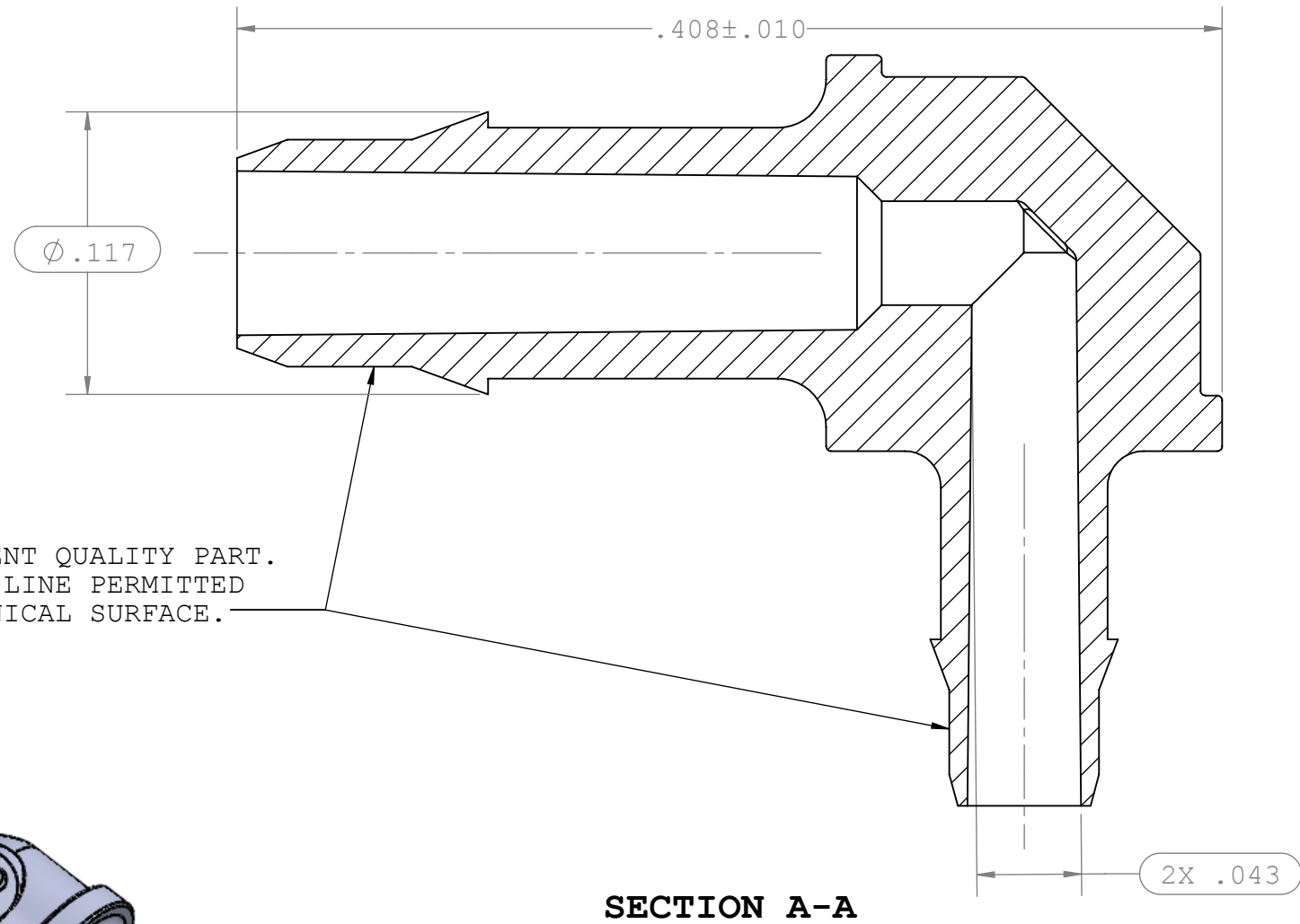
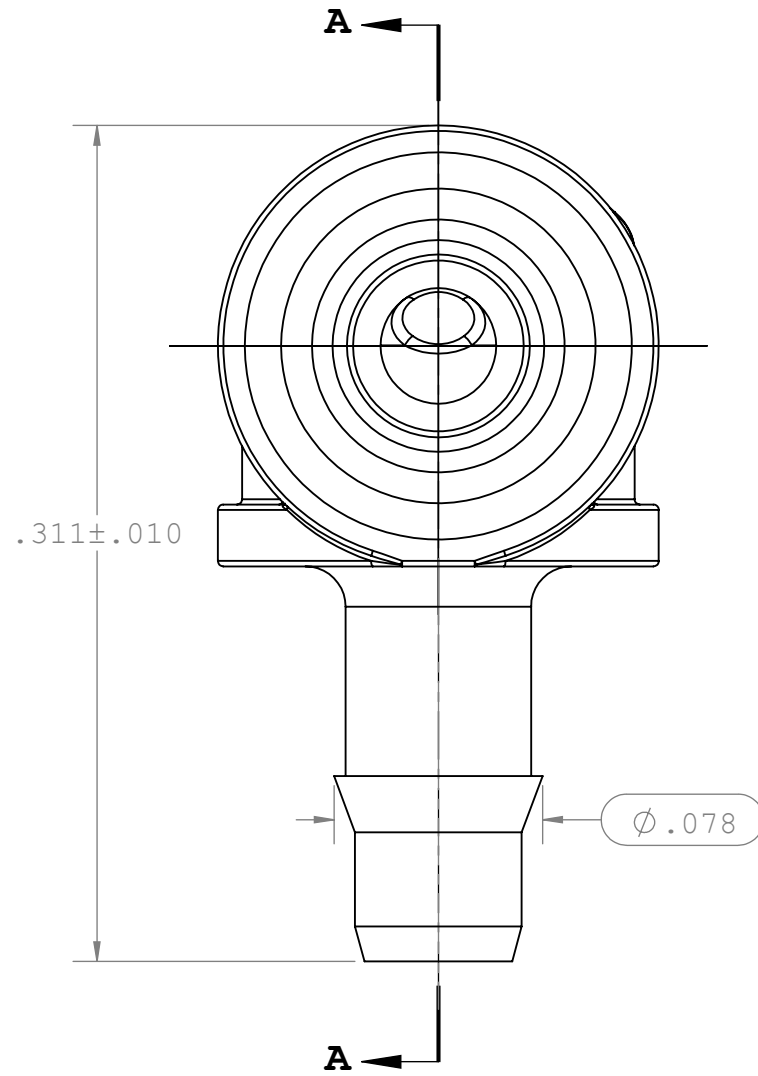


NOTES: FOR ADDITIONAL DETAILS, PLEASE CONTACT VP CUSTOMER SERVICE  
 DIMENSIONS MARKED  $\varnothing$  ARE CONTROL DIMENSIONS

REVISIONS			
REV.	DESCRIPTION	DATE	APPROVED
A	INITIAL RELEASE	05-04-98	
B	CO 027 DRAFTING UPDATE	11-16-05	Rick C.
C	ECO 291	02-02-15	H.L



UNLESS OTHERWISE SPECIFIED DIMENSIONS ARE IN INCHES TOLERANCES ARE:		<b>VALUE PLASTICS, INC</b>			
FRACTIONS    DECIMAL    ANGULAR $\pm$ .XX $\pm$ .01 $\pm$ 1° .XXX $\pm$ .005 .XXXX $\pm$ .001  DO NOT SCALE DRAWING		PART NUMBER: L420-410			
		DESCRIPTION: Elbow Reduction Tube Fitting with 400 Series Barbs, 3/32" (2.4 mm) and 1/16" (1.6 mm) ID Tubing			
DRAWN BY: shannond	DATE: 5/1/2015	SIZE: <b>B</b>	SCALE: NTS	VER: 	DWG. NO.    REV 1007503    C
MANAGER: huadong.lou		© 2011 VALUE PLASTICS, INC			SHEET: 1 OF 1

**FOR REFERENCE ONLY**