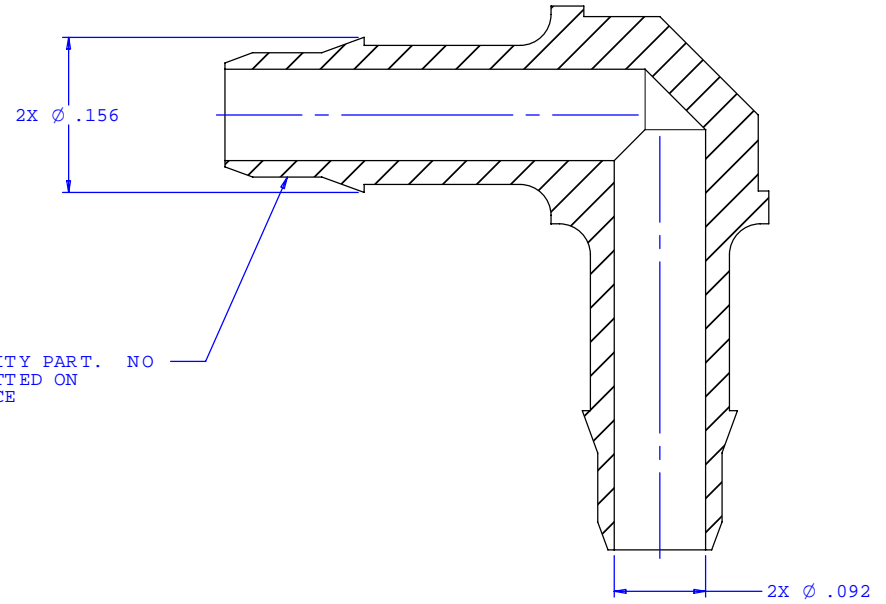
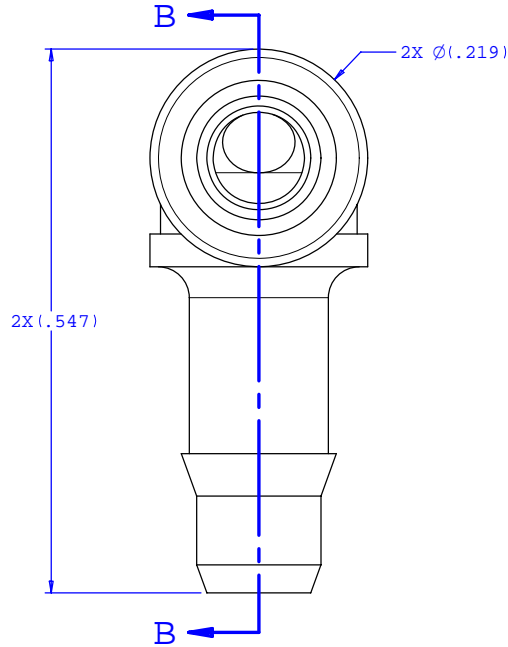


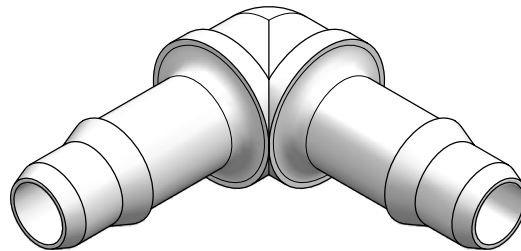
NOTE: FOR MORE DETAILS SEE YOUR V.P. CUSTOMER SERVICE REP.

REVISIONS			
REV.	DESCRIPTION	DATE	APPROVED
A	INITIAL RELEASE	05-03-02	
B	CO 027 Drafting Update	11-16-05	Rick C.



2X INSTRUMENT QUALITY PART. NO PARTING LINE PERMITTED ON THIS CONICAL SURFACE

SECTION B-B



UNLESS OTHERWISE SPECIFIED DIMENSIONS ARE IN INCHES TOLERANCES ARE:		<b>VALUE PLASTICS, INC.</b>	
FRACTIONS ±	DECIMALS .XX ±.01 .XXX ±.005 .XXXX ±.001	ANGULAR ±1°	PART NUMBER: <b>L430</b>
DO NOT SCALE DRAWING		DESCRIPTION: Elbow Connector with 400 Series Barb, 1/8" (3 mm) ID Tubing	
DRAWN BY: <b>Frank Lombardi</b>	DATE: <b>09-14-05</b>	SIZE: <b>B</b>	SCALE: <b>NTS</b>
ENGINEER/ MANAGER: <b>Rick Cairns</b>		DRAWING NUMBER: <b>10075 04</b>	REV. <b>B</b>
© 2005 VALUE PLASTICS, INC.			SHEET: 1 OF 1

**FOR REFERENCE ONLY**