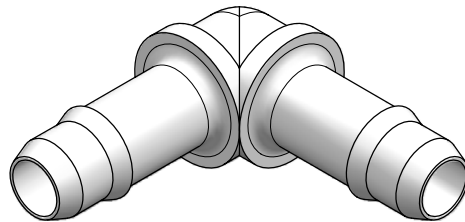
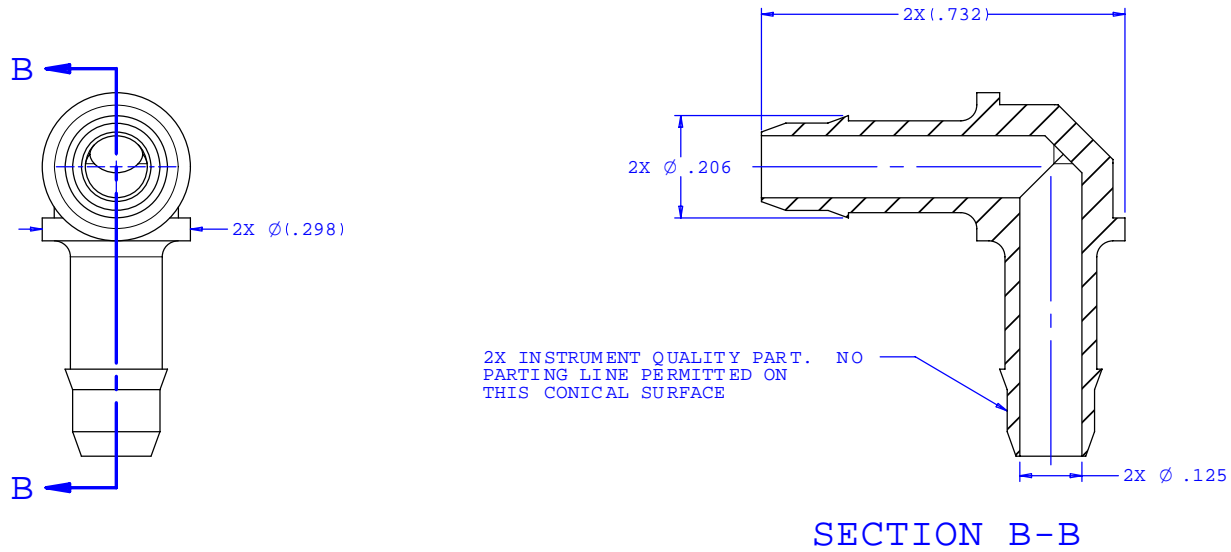


NOTE: FOR MORE DETAILS SEE YOUR V.P. CUSTOMER SERVICE REP.

REVISIONS			
REV.	DESCRIPTION	DATE	APPROVED
A	INITIAL RELEASE	05-31-05	



UNLESS OTHERWISE SPECIFIED DIMENSIONS ARE IN INCHES TOLERANCES ARE:		VALUE PLASTICS, INC.	
FRACTIONS ±	DECIMALS .XX ±.01 .XXX ±.005 .XXXX ±.001	ANGULAR ±1°	PART NUMBER: L440
DO NOT SCALE DRAWING		DESCRIPTION: Elbow Connector with 400 Series Barbs, 5/32" (4 mm) ID tubing	
DRAWN BY: Frank Lombardi	DATE: 05-31-05	SIZE: B SCALE: NTS	DRAWING NUMBER: 1006808 REV. A
Engineer/Manager: Rick Cairns		© 2005 VALUE PLASTICS, INC. SHEET: 1 OF 1	

FOR REFERENCE ONLY