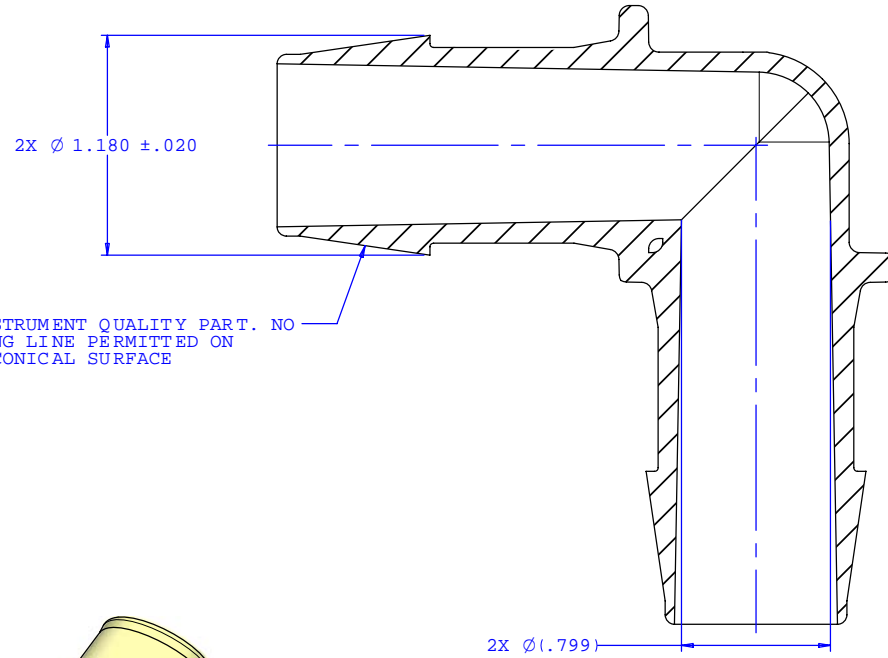
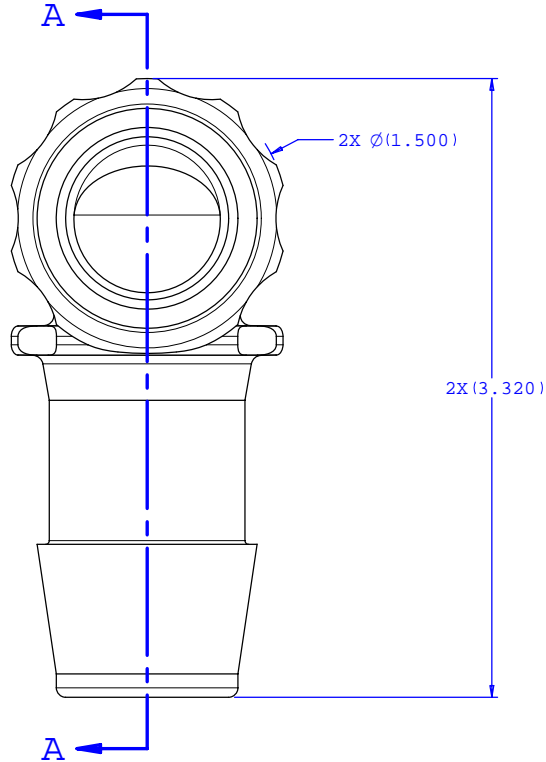
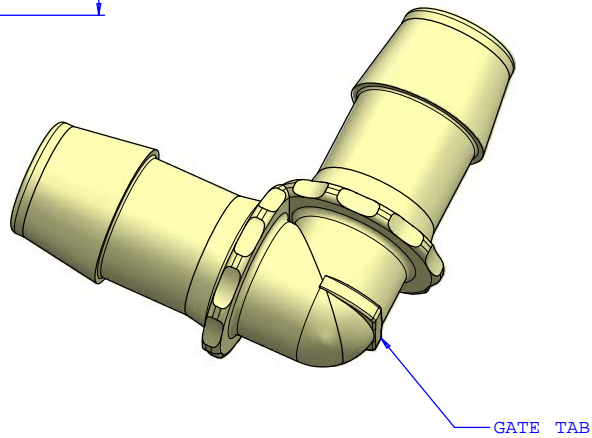


NOTE: FOR MORE DETAILS SEE YOUR V.P. CUSTOMER SERVICE REP.

REVISIONS			
REV.	DESCRIPTION	DATE	APPROVED
A	INITIAL RELEASE	05-31-05	Rick C.



SECTION A-A



UNLESS OTHERWISE SPECIFIED DIMENSIONS ARE IN INCHES TOLERANCES ARE:		VALUE PLASTICS, INC.	
FRACTIONS ±	DECIMALS .XX ±.01 .XXX ±.005 .XXXX ±.001	ANGULAR ±1°	PART NUMBER: L6110
DO NOT SCALE DRAWING		DESCRIPTION: Elbow Connector with 600 Series Barbs, 1" (25.4 mm) ID tubing	
DRAWN BY: Frank Lombardi	DATE: 12-19-05	SIZE: B SCALE: NTS	DRAWING NUMBER: 1006806 REV. A
Engineer/Manager: Rick Cairns		© 2005 VALUE PLASTICS, INC. SHEET: 1 OF 1	

FOR REFERENCE ONLY