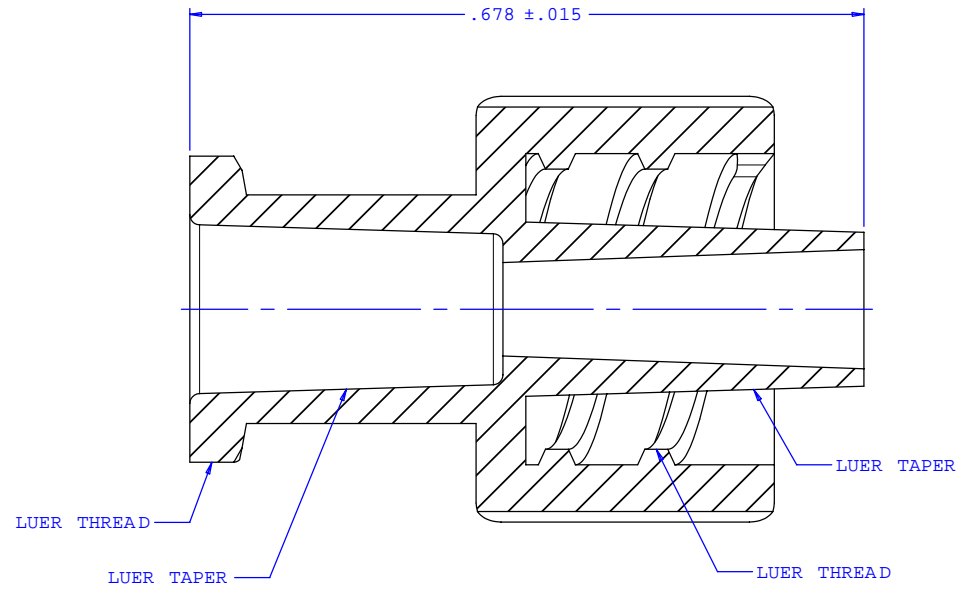
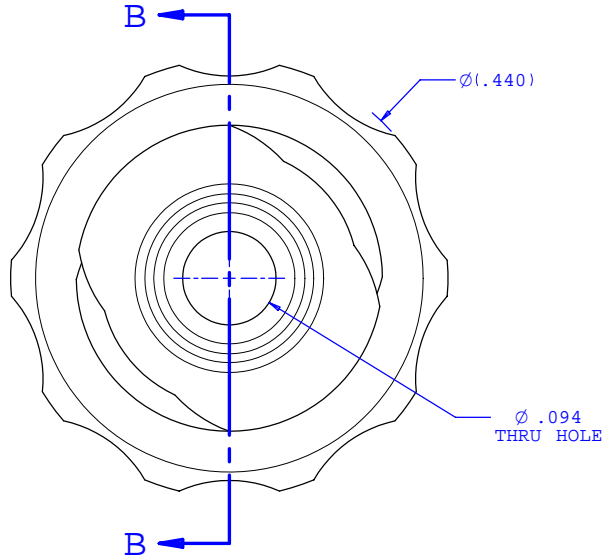
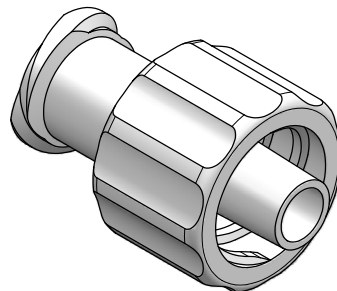


NOTE: FOR MORE DETAILS SEE YOUR V.P.CUSTOMER SERVICE REP.

REVISIONS			
REV.	DESCRIPTION	DATE	APPROVED
A	INITIAL RELEASE	02-16-98	
B	CO 024 Drafting Update		



SECTION B-B



UNLESS OTHERWISE SPECIFIED DIMENSIONS ARE IN INCHES TOLERANCES ARE:		VALUE PLASTICS, INC.	
FRACTIONS ±	DECIMALS .XX ±.01 .XXX ±.005 .XXXX ±.001	ANGULAR ±1°	PART NUMBER: LC34
DO NOT SCALE DRAWING		DESCRIPTION: Male Luer Integral Lock Ring to Female Luer Thread Style Coupler	
DRAWN BY: Frank Lombardi	DATE: 08-02-05	SIZE: B	SCALE: NTS
ENGINEER/ MANAGER: Rick Cairns	DRAWING NUMBER: 1007254	REV. B	SHEET: 1 OF 1
		© 2005 VALUE PLASTICS, INC.	

FOR REFERENCE ONLY