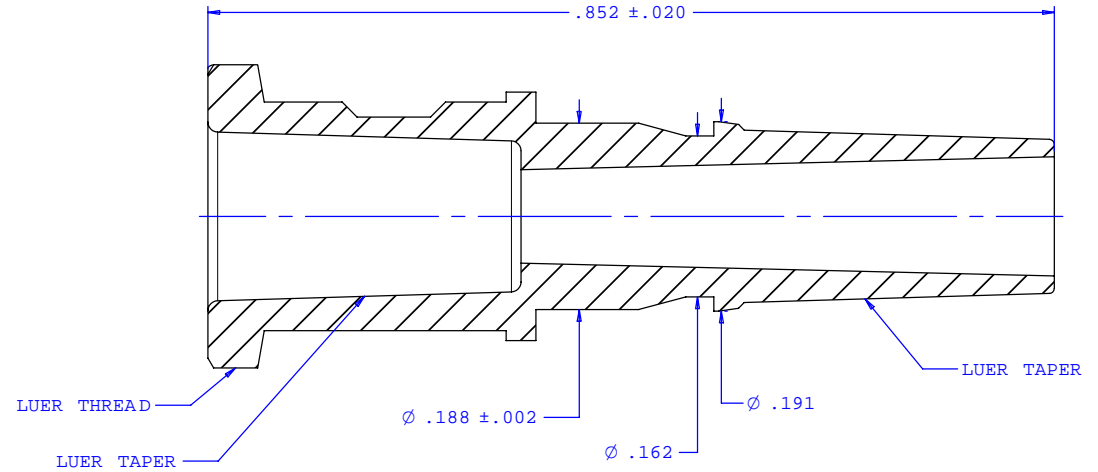
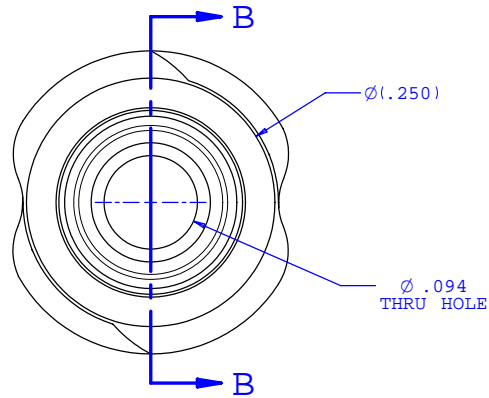
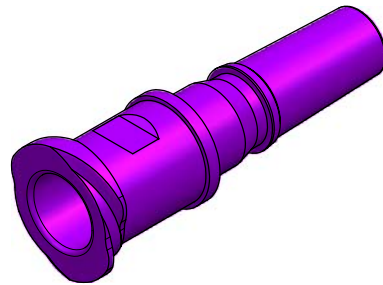


NOTE: FOR MORE DETAILS SEE YOUR V.P. CUSTOMER SERVICE REP.

REVISIONS			
REV.	DESCRIPTION	DATE	APPROVED
A	INITIAL RELEASE	11-26-03	
B	CO 018 Drafting Update	07-09-05	RICKC



SECTION B-B



UNLESS OTHERWISE SPECIFIED DIMENSIONS ARE IN INCHES TOLERANCES ARE:		VALUE PLASTICS, INC.	
FRACTIONS ±	DECIMALS .XX ±.01 .XXX ±.005 .XXXX ±.001	ANGULAR ±1°	PART NUMBER: LC78
DO NOT SCALE DRAWING		DESCRIPTION: Male Luer to Female Luer Thread Style Coupler (May be used with separate rotating lock ring; FSLLR)	
DRAWN BY: Frank Lombardi 05-03-05	DATE:	SIZE: B	SCALE: NTS
Engineer/Manager: Rick Cairns		DRAWING NUMBER: 1006616	REV. B
		© 2005 VALUE PLASTICS, INC.	SHEET: 1 OF 1

FOR REFERENCE ONLY