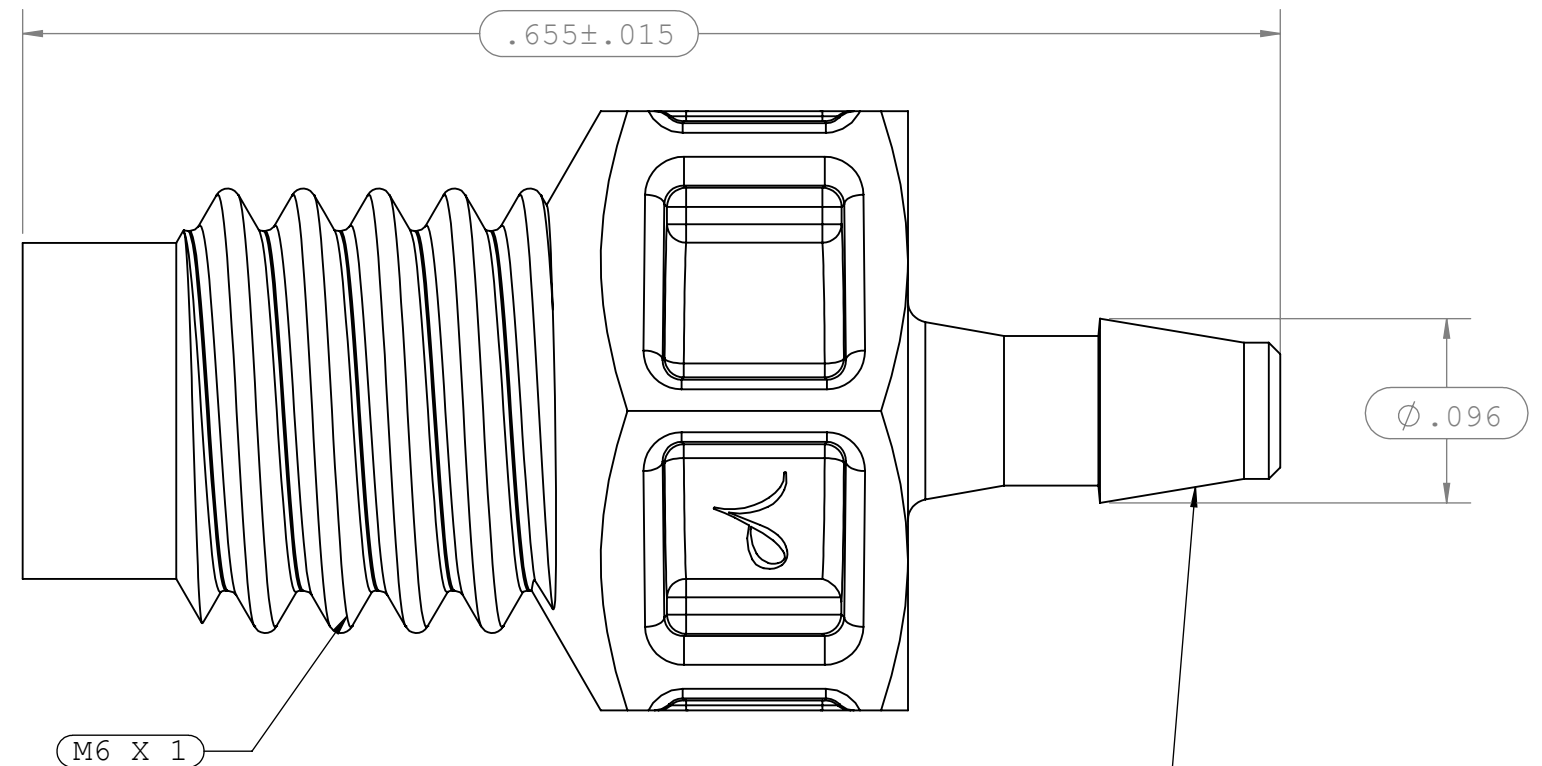
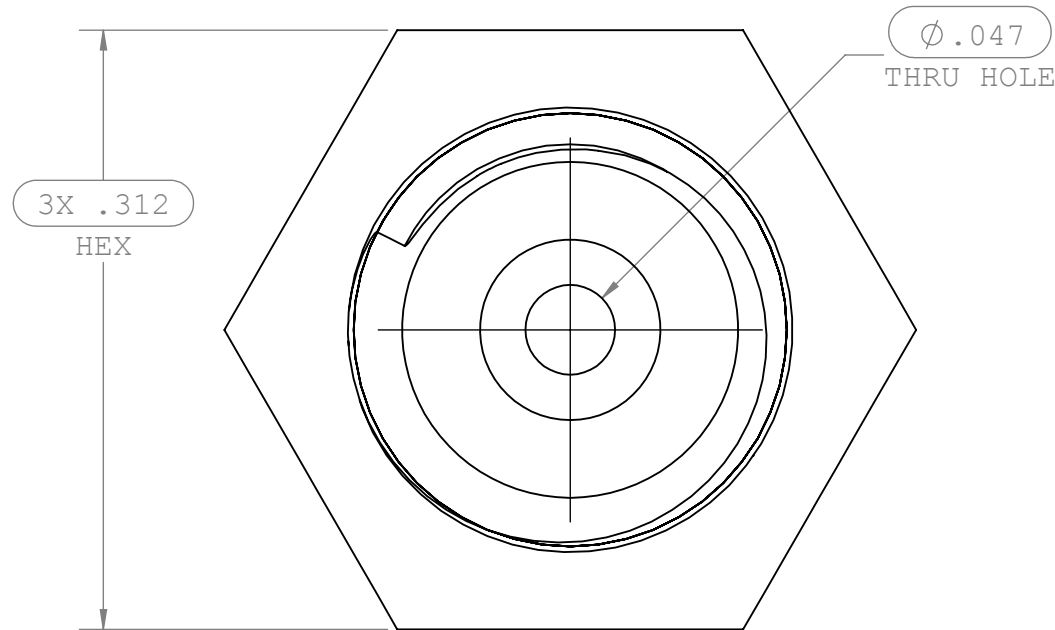
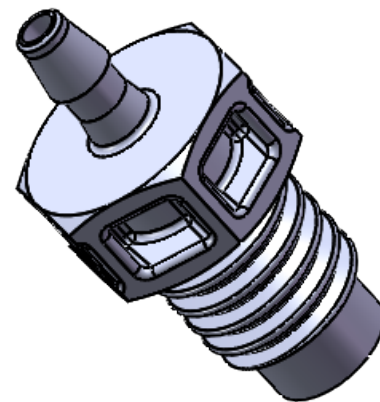


NOTES: FOR ADDITIONAL DETAILS, PLEASE CONTACT VP CUSTOMER SERVICE
 DIMENSIONS MARKED $\text{\textcircled{\hspace{1em}}}$ ARE CONTROL DIMENSIONS

REVISIONS			
REV.	DESCRIPTION	DATE	APPROVED
A	INITIAL RELEASE	06-02-98	
B	CO 034 HEX CORING	04-12-06	Rick C.
C	CO 057 REDUCE HEX CORING	03-12-07	Rick C.
D	ECO 285	03-13-17	FJL



INSTRUMENT QUALITY PART.
 NO PARTING LINE PERMITTED
 ON THIS CONICAL SURFACE.



UNLESS OTHERWISE SPECIFIED DIMENSIONS ARE IN INCHES TOLERANCES ARE:		VALUE PLASTICS, INC			
FRACTIONS DECIMAL ANGULAR \pm .XX \pm .01 \pm 1° .XXX \pm .005 .XXXX \pm .001		PART NUMBER: M6210			
DO NOT SCALE DRAWING		DESCRIPTION: M6x1 Thread with 5/16" Hex to 200 Series Barb, 1/16" (1.6 mm) ID Tubing			
DRAWN BY: shannond	DATE: 3/13/2017	SIZE: B	SCALE: NTS	VER: 	DWG. NO. REV 1008066 D
MANAGER: huadong.lou		© 2011 VALUE PLASTICS, INC			SHEET: 1 OF 1

FOR REFERENCE ONLY