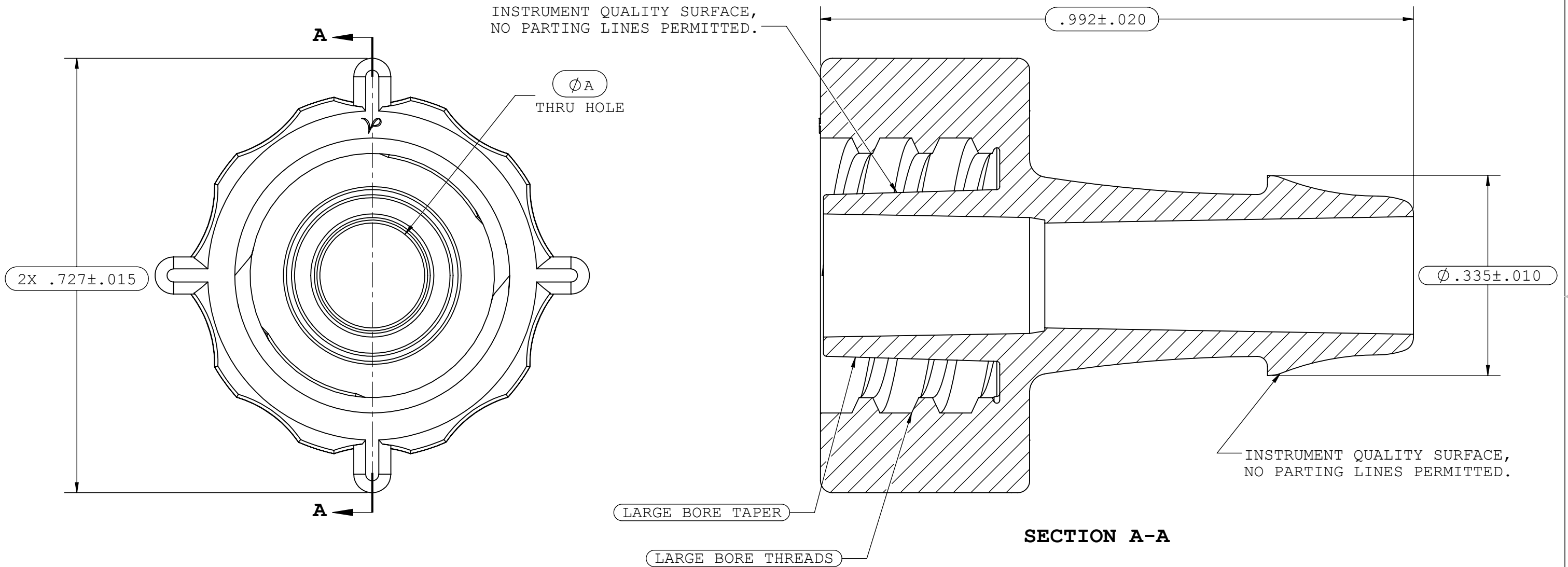
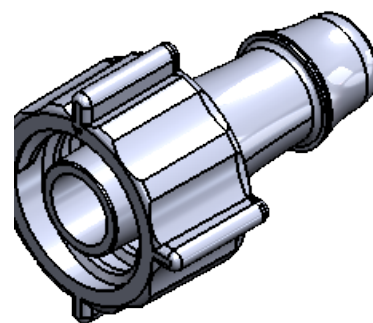


NOTES: FOR ADDITIONAL DETAILS, PLEASE CONTACT VP CUSTOMER SERVICE
 DIMENSIONS MARKED \varnothing ARE CONTROL DIMENSIONS

REVISIONS			
REV.	DESCRIPTION	DATE	APPROVED
A	INITIAL RELEASE	06/01/03	
B	CO 024 DRAFTING UPDATE	01/17/06	Rick C.
C	ECO 356	06-19-17	FJL



Dimension	Material Specific Tolerances					
	Acetal	Nylon	PP	ABS	PC	PVDF
A	.175	.175	.175	.180	.180	.175
B						
C						
D						
E						
F						



UNLESS OTHERWISE SPECIFIED DIMENSIONS ARE IN INCHES TOLERANCES ARE:		VALUE PLASTICS, INC			
FRACTIONS	DECIMAL				
± .XX	± .01	± 1°	DESCRIPTION:	MALE LARGE BORE CONNECTOR TO 500 SERIES BARB, 1/4" (6.25 mm) I.D. TUBING	
± .XXX	± .005		SIZE:	B	
± .XXXX	± .001		SCALE:	NTS	
DO NOT SCALE DRAWING		VER:	DWG. NO.	1007175	
DRAWN BY:	DATE:	REV:		C	
marie.morleyjahn	6/19/2017				
NEW PRODUCT DEVELOPMENT MGR:		© 2017 VALUE PLASTICS, INC		SHEET: 1 OF 1	
Frank.Lombardi					

FOR REFERENCE ONLY