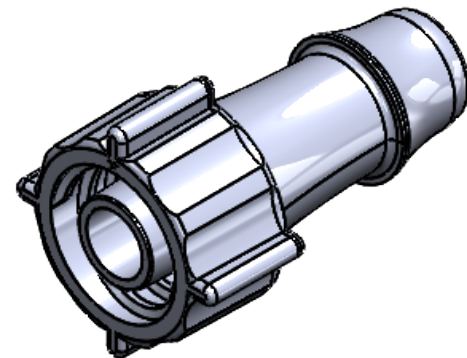
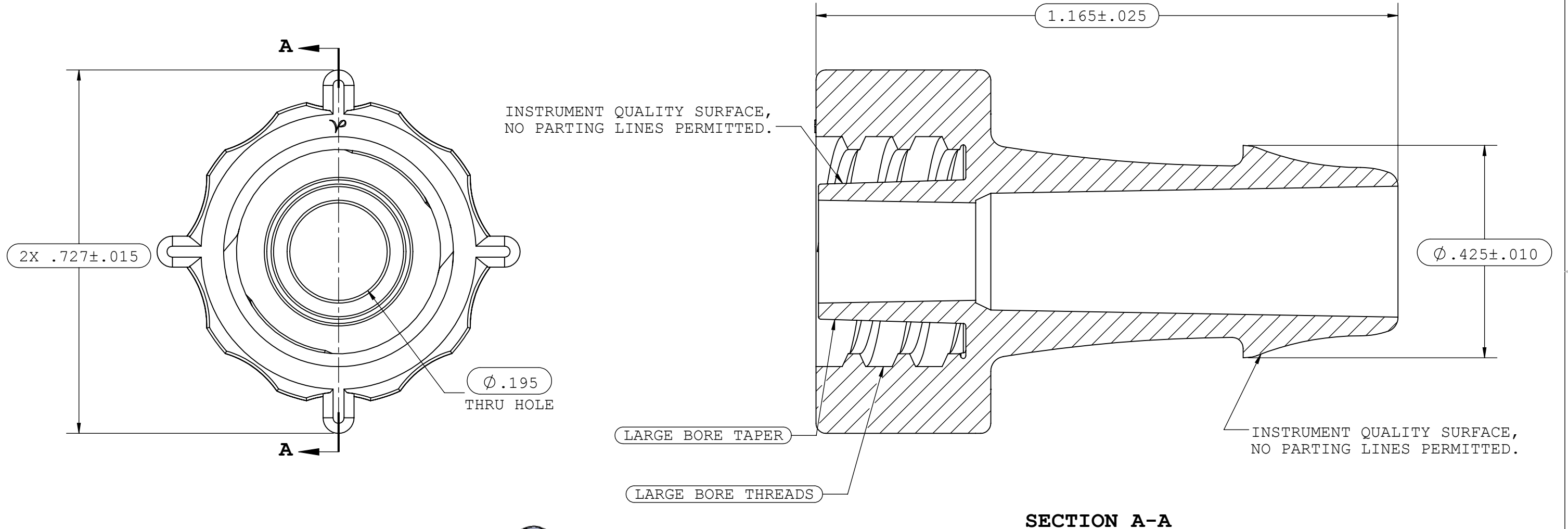


NOTES: FOR ADDITIONAL DETAILS, PLEASE CONTACT VP CUSTOMER SERVICE
 DIMENSIONS MARKED \varnothing ARE CONTROL DIMENSIONS

REVISIONS			
REV.	DESCRIPTION	DATE	APPROVED
A	INITIAL RELEASE	06/01/03	
B	CO 024 DRAFTING UPDATE	01/17/06	Rick C.
C	ECO 356	06-19-17	FJL



UNLESS OTHERWISE SPECIFIED DIMENSIONS ARE IN INCHES TOLERANCES ARE:		VALUE PLASTICS, INC			
FRACTIONS DECIMAL ANGULAR \pm .XX \pm .01 \pm 1° \pm .XXX \pm .005 \pm .XXXX \pm .001 DO NOT SCALE DRAWING		PART NUMBER: MLB065			
DRAWN BY: marie.morleyjahn		DATE: 6/30/2017	SIZE: B	SCALE: NTS	VER: C
NEW PRODUCT DEVELOPMENT MGR: Frank.Lombardi		DWG. NO. 1007177	DESCRIPTION: MALE LARGE BORE CONNECTOR TO 500 SERIES BARB, 5/16" (7.9 mm) I.D. TUBING		
© 2017 VALUE PLASTICS, INC			SHEET: 1 OF 1		

FOR REFERENCE ONLY