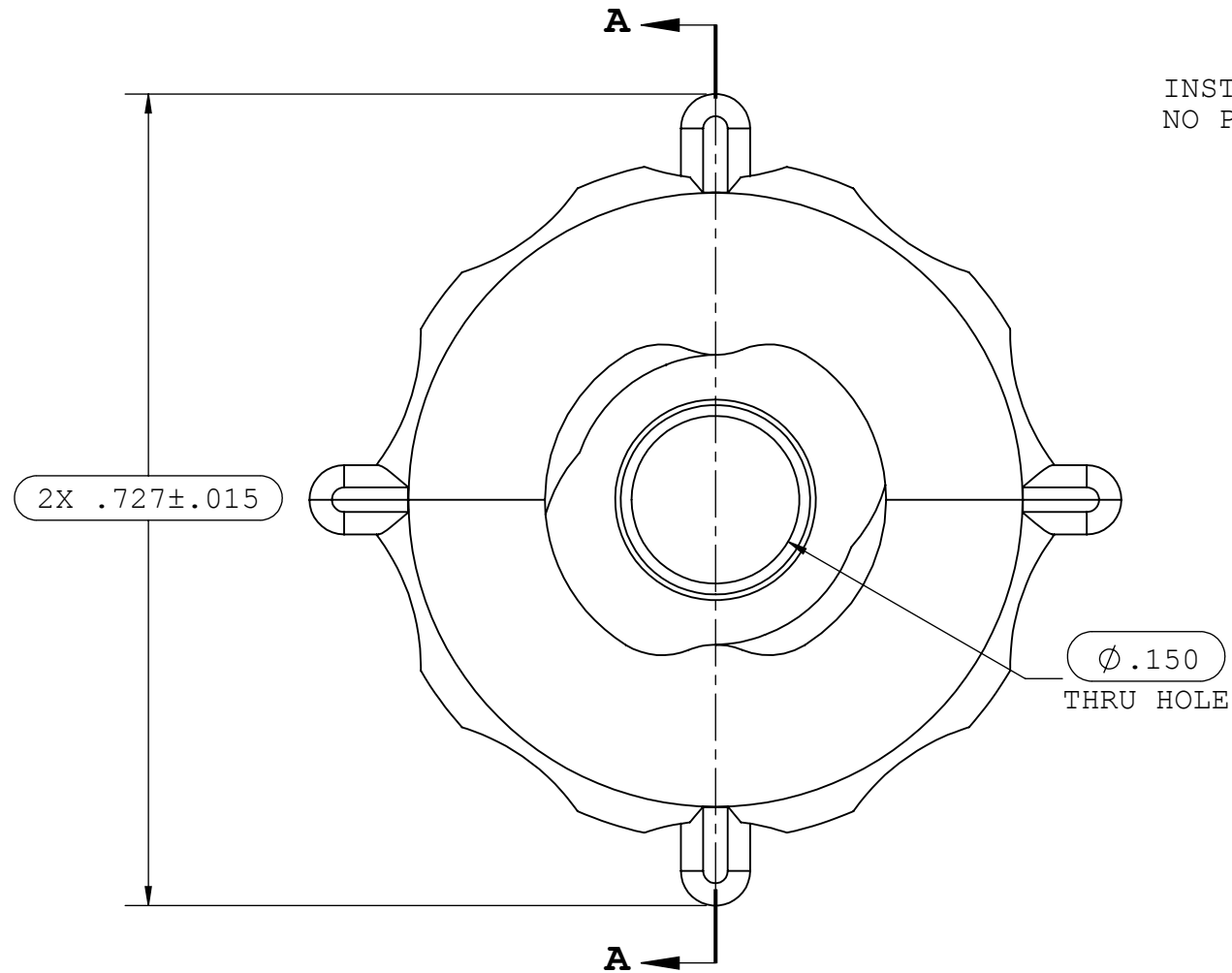


NOTES: FOR ADDITIONAL DETAILS, PLEASE CONTACT VP CUSTOMER SERVICE
 DIMENSIONS MARKED $\text{\textcircled{\hspace{1em}}}$ ARE CONTROL DIMENSIONS

REVISIONS			
REV.	DESCRIPTION	DATE	APPROVED
A	INITIAL RELEASE	07/26/04	
B	CO 046 DRAFTING UPDATE	03/17/06	Rick C.
C	ECO 356	06-19-17	FJL



INSTRUMENT QUALITY SURFACE,
NO PARTING LINES PERMITTED.

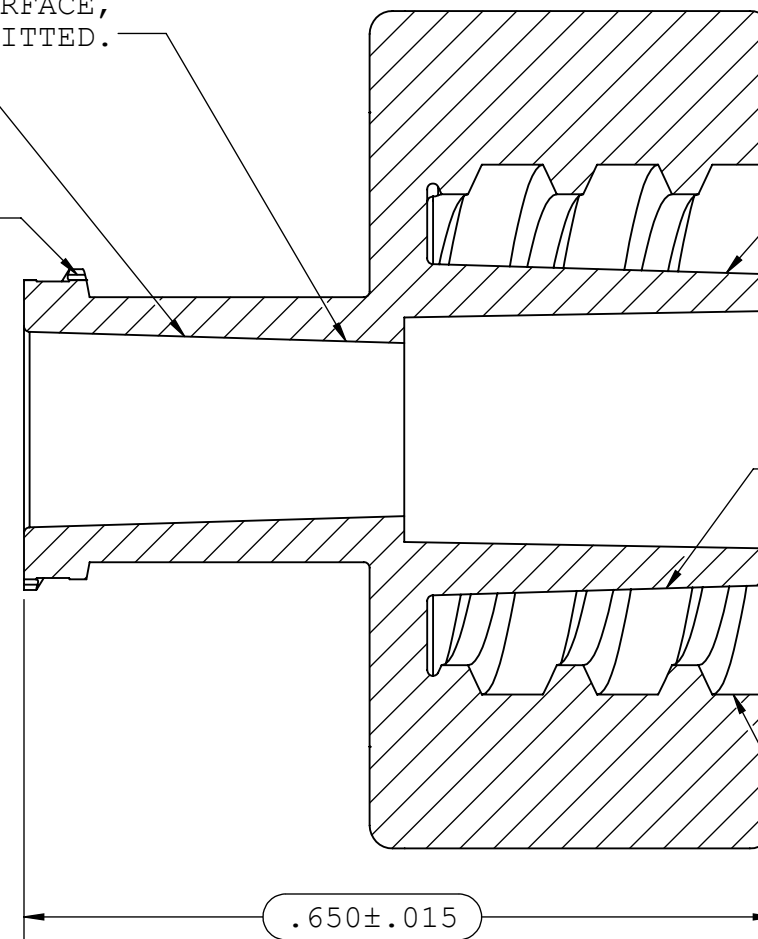
LUER TAPER

LUER THREADS

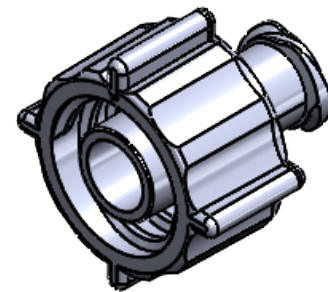
LARGE BORE TAPER

INSTRUMENT QUALITY SURFACE,
NO PARTING LINES PERMITTED.

LARGE BORE THREADS



SECTION A-A



UNLESS OTHERWISE SPECIFIED DIMENSIONS ARE IN INCHES TOLERANCES ARE:		VALUE PLASTICS, INC			
FRACTIONS DECIMAL ANGULAR \pm .XX $\pm .01$ $\pm 1^\circ$ \pm .XXX $\pm .005$ \pm .XXXX $\pm .001$		PART NUMBER: MLBC8			
DO NOT SCALE DRAWING		DESCRIPTION: MALE LARGE BORE COUPLER W/ INTEGRAL LOCK RING TO FEMALE THREAD STYLE LOCKING LUER			
DRAWN BY: marie.morleyjahn	DATE: 6/19/2017	SIZE: B	SCALE: NTS	VER: 	DWG. NO. REV 1005048 C
NEW PRODUCT DEVELOPMENT MGR: Frank.Lombardi		© 2017 VALUE PLASTICS, INC			SHEET: 1 OF 1

FOR REFERENCE ONLY