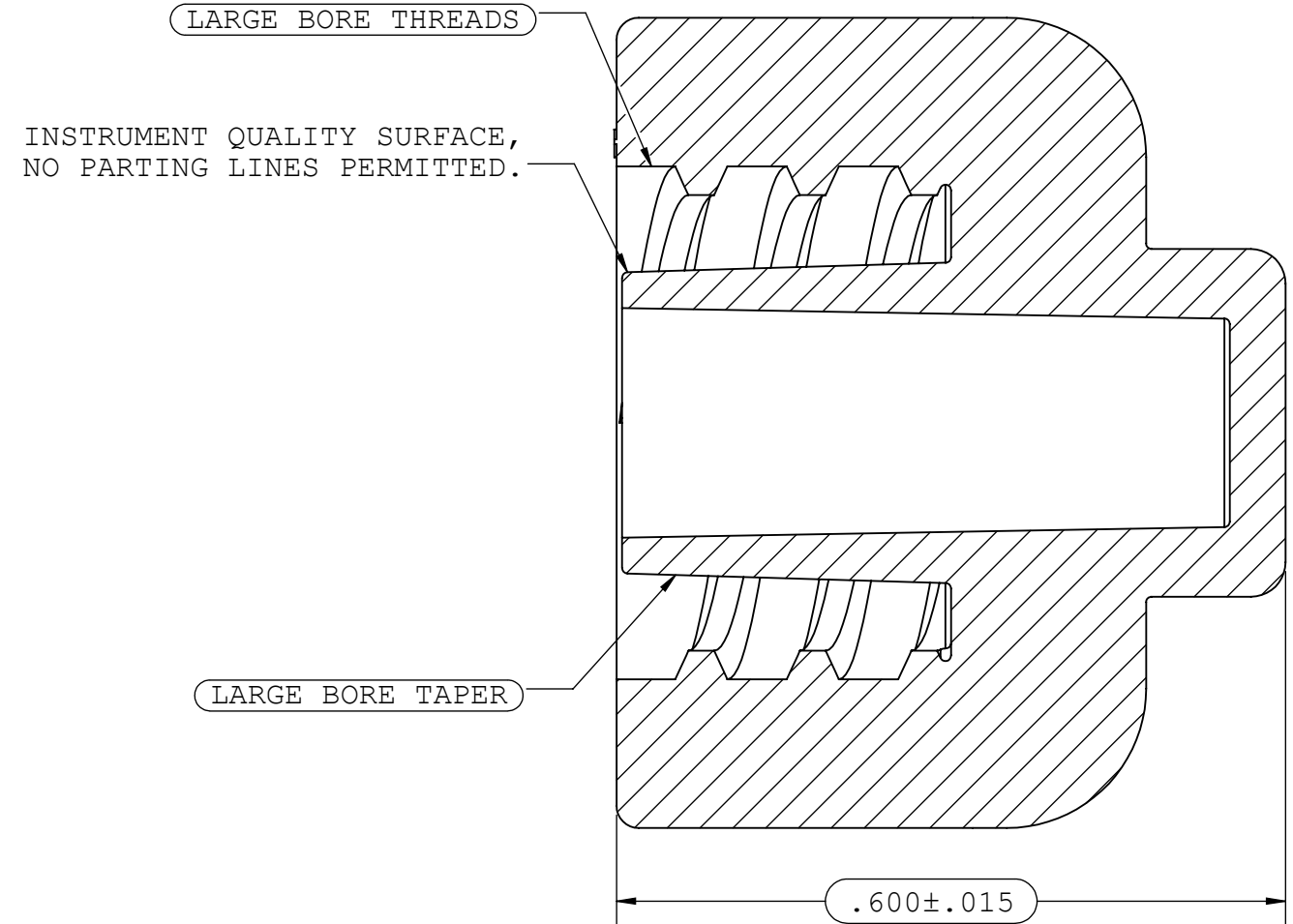
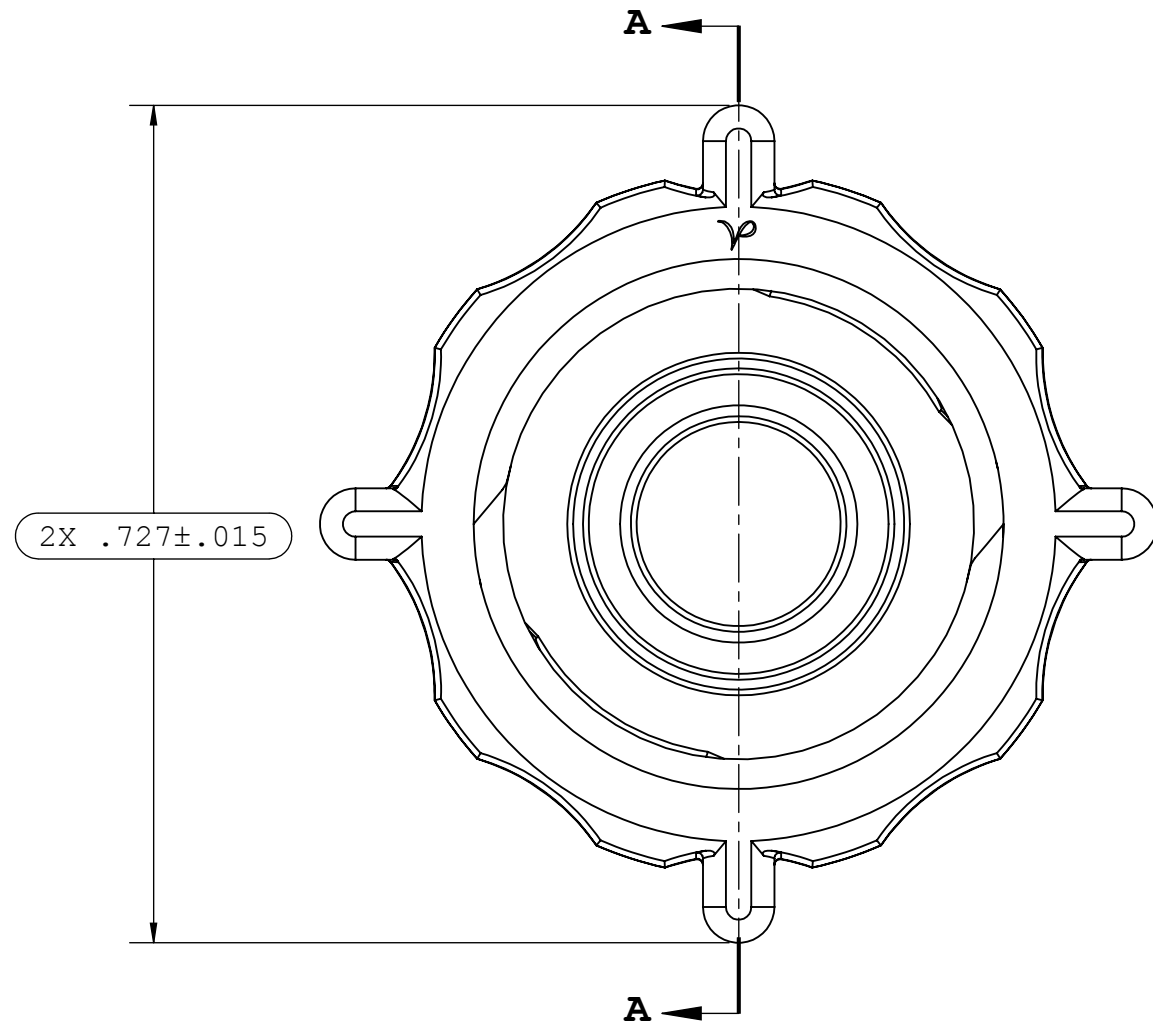
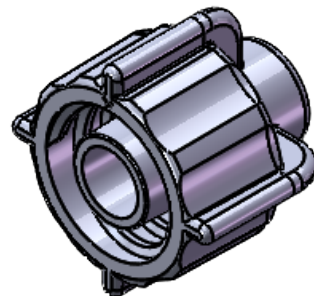


NOTES: FOR ADDITIONAL DETAILS, PLEASE CONTACT VP CUSTOMER SERVICE
 DIMENSIONS MARKED ARE CONTROL DIMENSIONS

REVISIONS			
REV.	DESCRIPTION	DATE	APPROVED
A	INITIAL RELEASE	06/08/04	
B	CO 024 DRAFTING UPDATE	03/11/09	Rick C.
C	ECO 356	06-19-17	FJL



SECTION A-A



UNLESS OTHERWISE SPECIFIED DIMENSIONS ARE IN INCHES TOLERANCES ARE:		VALUE PLASTICS, INC			
FRACTIONS DECIMAL ANGULAR ± .XX ± .01 ± 1° .XXX ± .005 .XXXX ± .001		PART NUMBER: MLBP			
DO NOT SCALE DRAWING		DESCRIPTION: MALE LARGE BORE CONNECTOR PLUG			
DRAWN BY: marie.morleyjahn	DATE: 6/19/2017	SIZE: B	SCALE: NTS	VER: 	DWG. NO. 1005260
NEW PRODUCT DEVELOPMENT MGR: Frank.Lombardi		© 2017 VALUE PLASTICS, INC			REV C
				SHEET: 1 OF 1	

FOR REFERENCE ONLY