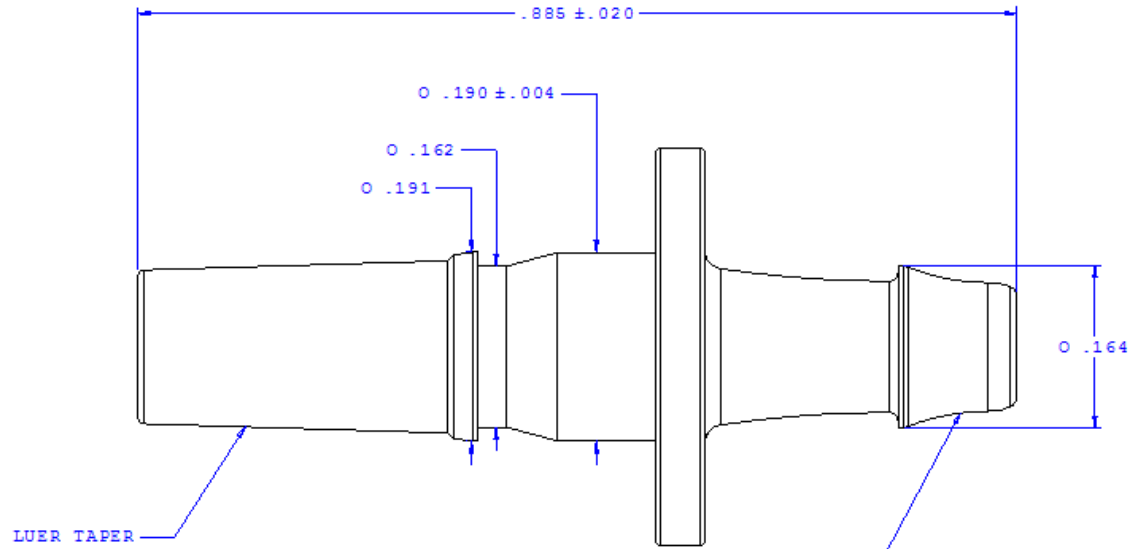
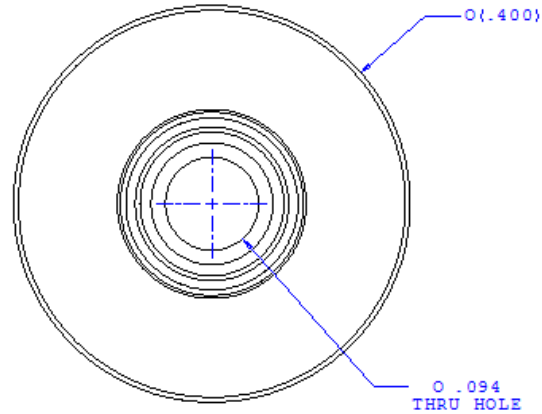
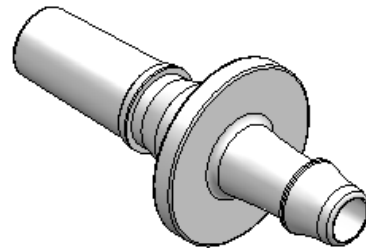


NOTE: FOR MORE DETAILS SEE YOUR V.P. CUSTOMER SERVICE REP.

REVISIONS			
REV.	DESCRIPTION	DATE	APPROVED
A	INITIAL RELEASE	09-09-02	
B	CO 024 Drafting Update	Rick C.	12-22-05



INSTRUMENT QUALITY PART. NO PARTING LINE PERMITTED ON THIS CONICAL SURFACE



UNLESS OTHERWISE SPECIFIED DIMENSIONS ARE IN INCHES TOLERANCES ARE:		VALUE PLASTICS, INC.	
FRACTIONS 2 .XXX .XXXX .XXXXX	DECIMALS 0.01 0.005 0.001	ANGULAR 1/2°	PART NUMBER: MLRL013 DESCRIPTION: Male Luer to 500 Series Barb, 1/8" (3 mm) ID Tubing (May be used with separate lock ring PSLLR)
DO NOT SCALE DRAWING		DRAWN BY: Frank Lombardi ENGINEER MANAGER: Rick Cairns	DATE: 07-26-05 SIZE: B SCALE: NTS DRAWING NUMBER: 1007184 REV. B
		© 2005 VALUE PLASTICS, INC.	QUANTITY: 1 OF 1

FOR REFERENCE ONLY