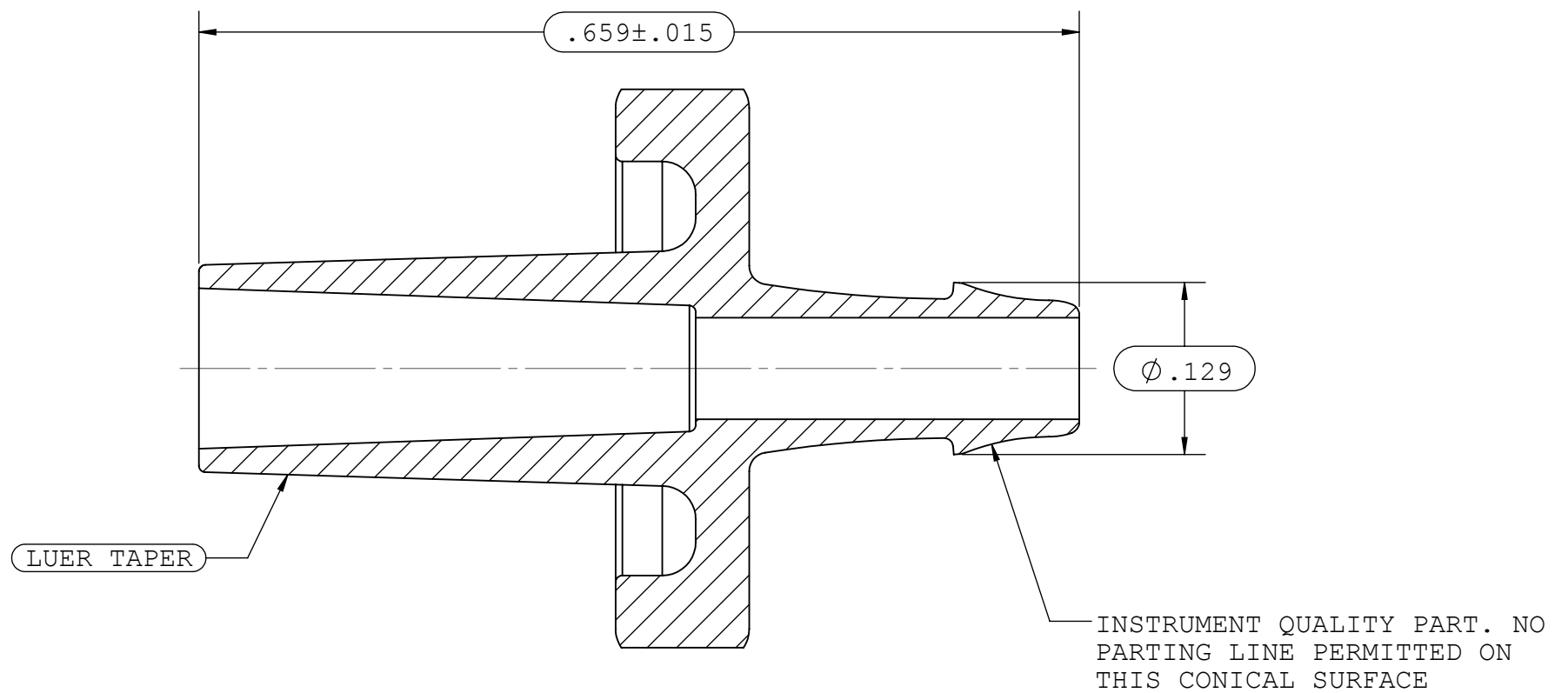
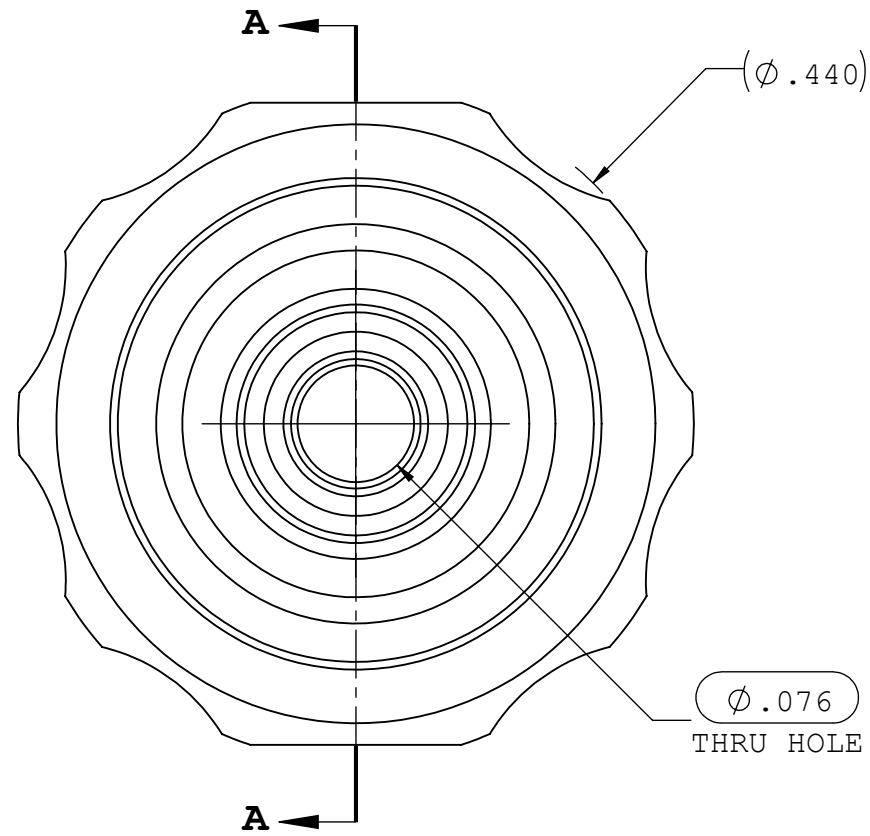
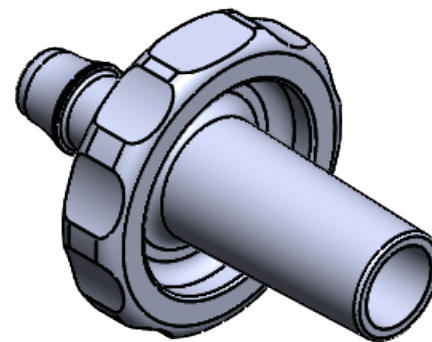


NOTES: FOR ADDITIONAL DETAILS, PLEASE CONTACT VP CUSTOMER SERVICE
 DIMENSIONS MARKED ϕ ARE CONTROL DIMENSIONS

REVISIONS			
REV.	DESCRIPTION	DATE	APPROVED
A	INITIAL RELEASE	08-12-98	
B	CO 024 DRAFTING UPDATE	08-30-05	RICK C.
C	ECO 380	05-16-18	FJL



SECTION A-A



UNLESS OTHERWISE SPECIFIED DIMENSIONS ARE IN INCHES TOLERANCES ARE:		VALUE PLASTICS, INC			
FRACTIONS DECIMAL ANGULAR \pm .XX \pm .01 \pm 1° .XXX \pm .005 .XXXX \pm .001		PART NUMBER: MSL007			
DO NOT SCALE DRAWING		DESCRIPTION: MALE LUER SLIP TO 500 SERIES BARB, 3/32" (2.25 mm) ID TUBING			
DRAWN BY: BRYCE HIRSCHFELD	DATE: 5/16/2018	SIZE: B	SCALE: NTS	VER: 	DWG. NO. REV 1007205 C
MANAGER: LOU HUADONG		© 2014 VALUE PLASTICS, INC			SHEET: 1 OF 1

FOR REFERENCE ONLY