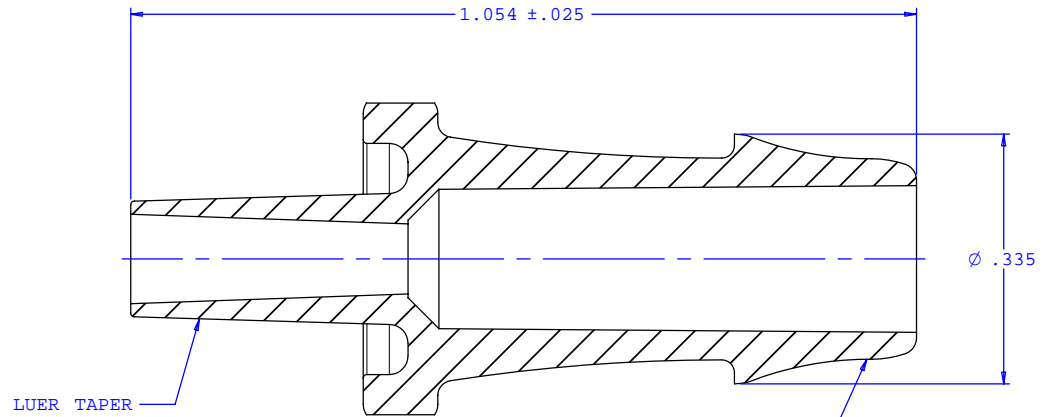
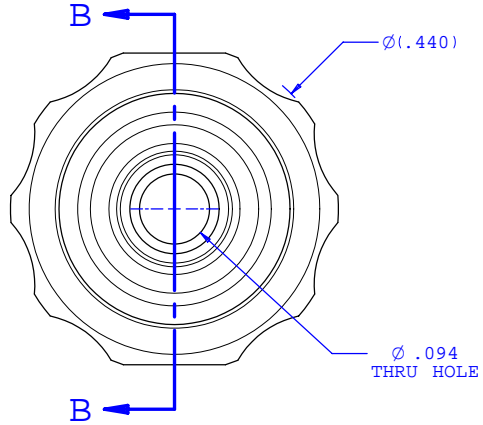


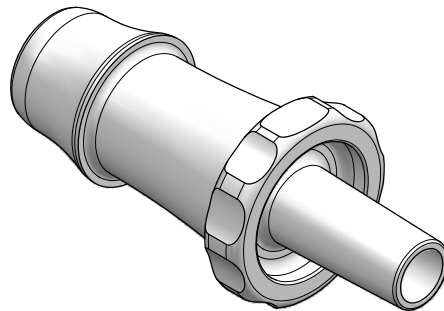
NOTE: FOR MORE DETAILS SEE YOUR V.P.CUSTOMER SERVICE REP.

REVISIONS			
REV.	DESCRIPTION	DATE	APPROVED
A	INITIAL RELEASE	08-12-98	
B	CO 024 Drafting Update	08-30-05	Rick C.



SECTION B-B

INSTRUMENT QUALITY PART. NO PARTING LINE PERMITTED ON THIS CONICAL SURFACE



UNLESS OTHERWISE SPECIFIED DIMENSIONS ARE IN INCHES TOLERANCES ARE:		VALUE PLASTICS, INC.	
FRACTIONS ±	DECIMALS .XX ±.01 .XXX ±.005 .XXXX ±.001	ANGULAR ±1°	PART NUMBER: MSL055
DO NOT SCALE DRAWING		DESCRIPTION: Male Luer Slip to 500 Series Barb, 1/4" (6.25 mm) ID Tubing	
DRAWN BY: Frank Lombardi	DATE: 07-27-05	SIZE: B SCALE: NTS	DRAWING NUMBER: 1007209 REV. B
Engineer Manager: Rick Cairns		© 2005 VALUE PLASTICS, INC. SHEET: 1 OF 1	

FOR REFERENCE ONLY