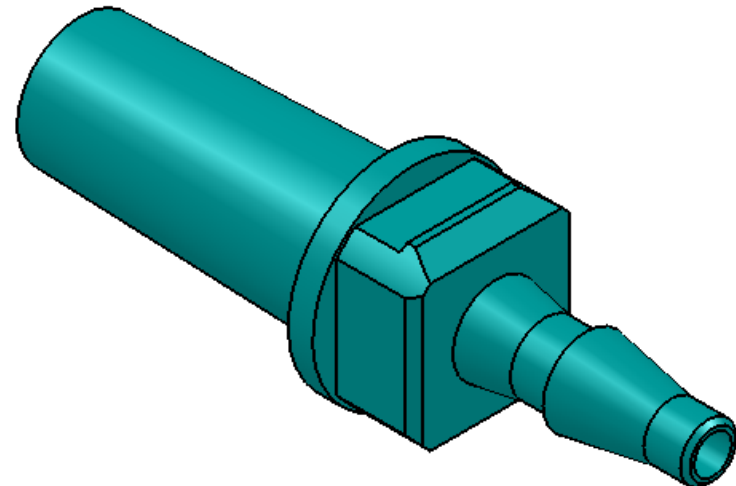
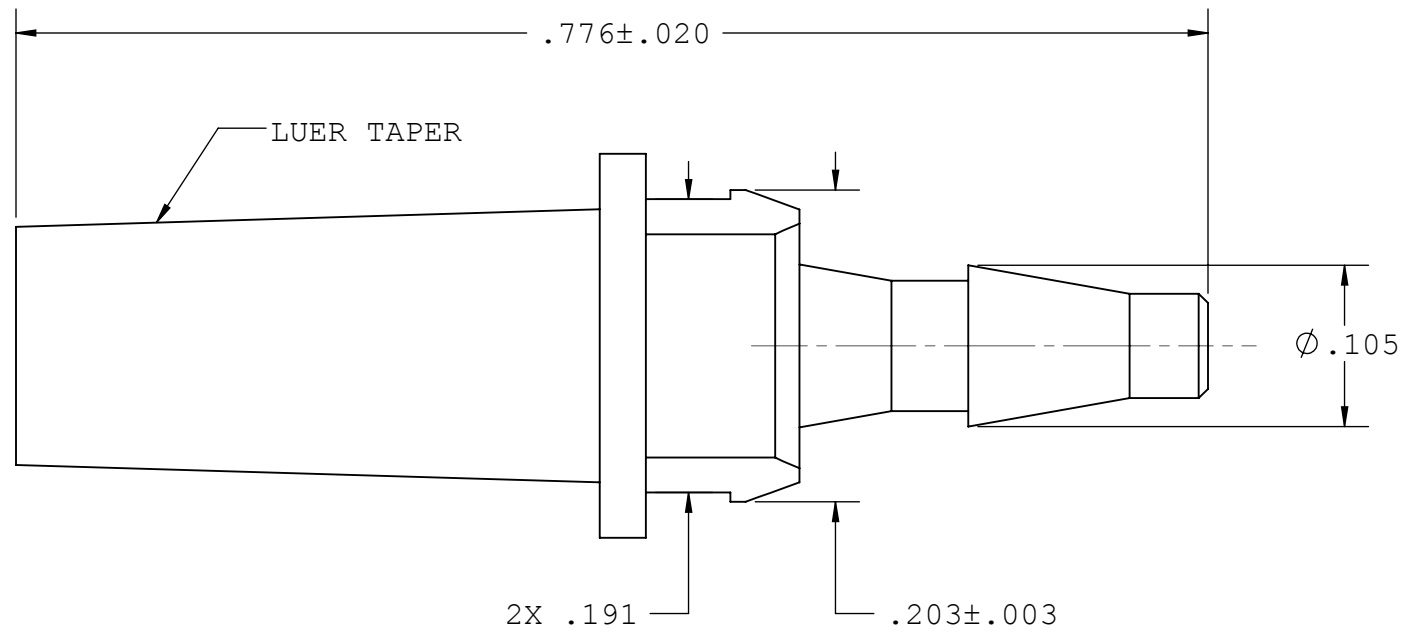
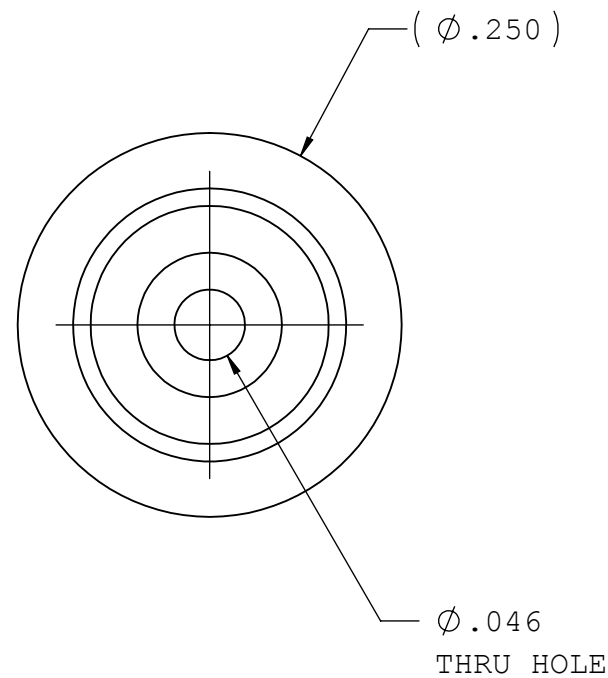


NOTES: FOR ADDITIONAL DETAILS, PLEASE CONTACT VP CUSTOMER SERVICE
 DIMENSIONS MARKED \square ARE CONTROL DIMENSIONS

REVISIONS			
REV.	DESCRIPTION	DATE	APPROVED
A	Initial Release	07-21-97	
B	CO 015 Drafting update	05-04-05	Rick C.
C	Update drawing per ECO 181	01-12-11	Rick C.
D	ECO 317	10-15-15	H.L



UNLESS OTHERWISE SPECIFIED DIMENSIONS ARE IN INCHES TOLERANCES ARE:		VALUE PLASTICS, INC			
FRACTIONS DECIMAL ANGULAR \pm .XX \pm .01 \pm 1° .XXX \pm .005 .XXXX \pm .001		PART NUMBER: MTL10			
DO NOT SCALE DRAWING		DESCRIPTION: MALE LUER TO CLASSIC SERIES BARB, 1/16" (1.6mm) ID TUBING (May be used with separate lock ring; MLLR)			
DRAWN BY: Chieu Pham	DATE: 01/03/2011	SIZE: B	SCALE: NTS	VER: 	DWG. NO. REV 1006399 D
MANAGER: Rick Cairns		© 2010 VALUE PLASTICS, INC			SHEET: 1 OF 1

FOR REFERENCE ONLY