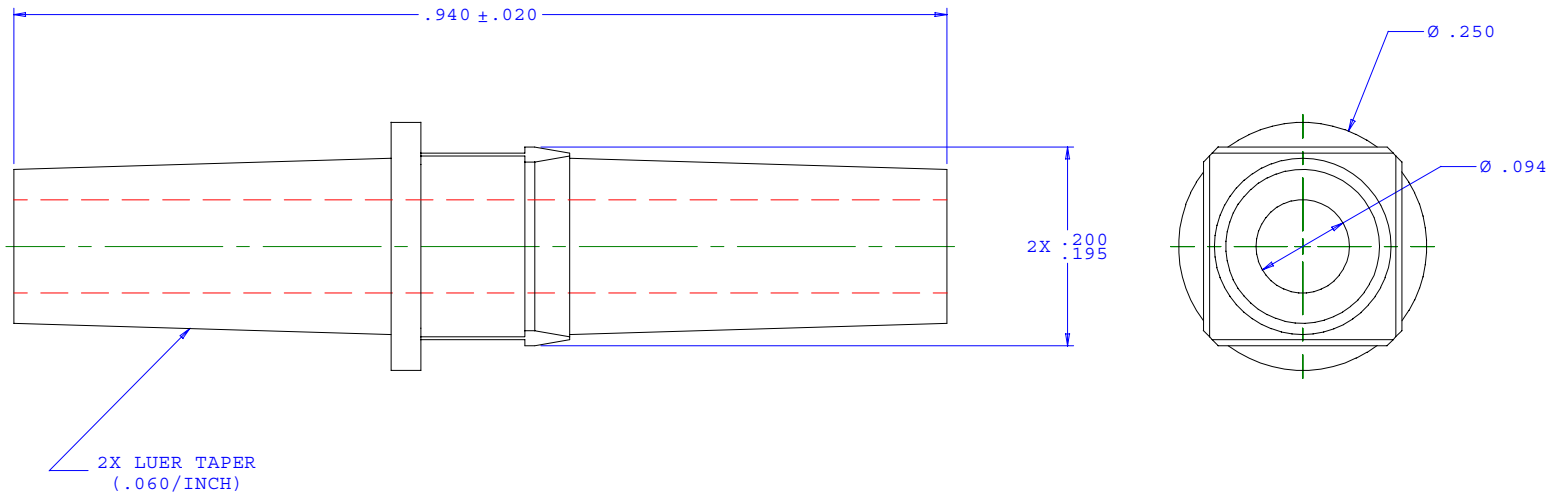


REVISIONS			
REV.	DESCRIPTION	DATE	APPROVED



UNLESS OTHERWISE SPECIFIED DIMENSIONS ARE IN INCHES TOLERANCES ARE:		<b>VALUE PLASTICS, INC.</b>	
FRACTIONS ±	DECIMALS .XX ±.01 .XXX ±.005	ANGULAR ±1°	PART NUMBER: MTLC
DO NOT SCALE DRAWING			DESCRIPTION: MALE LUER COUPLING
DRAWN BY: SUE CORAM	SCALE: NTS	DRAWING NUMBER: QC B1064	REV.
DATE: 11/14/97	© 1997 VALUE PLASTICS, INC.		SHEET: 2 of 2