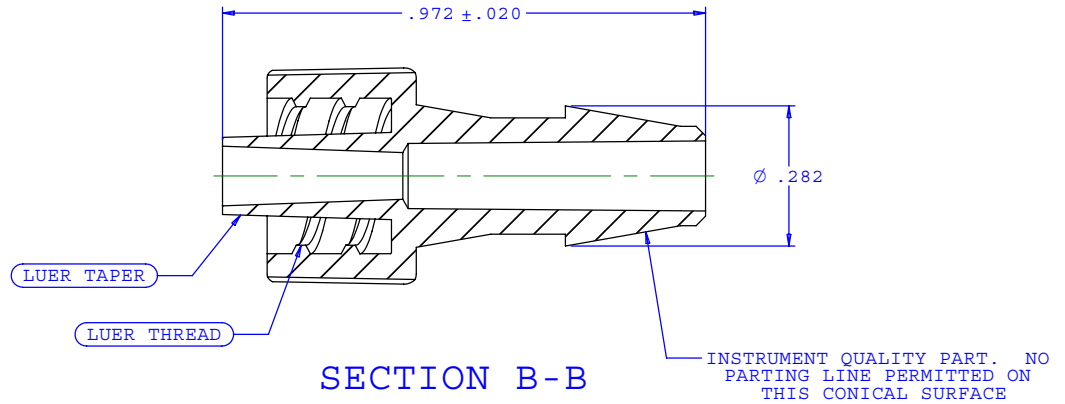
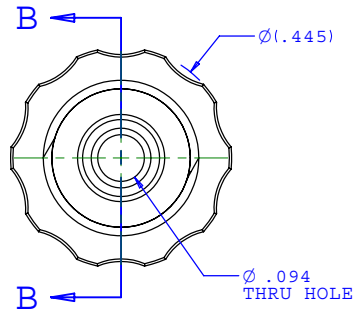


NOTE: FOR MORE DETAILS SEE YOUR V.P.CUSTOMER SERVICE REP.

REVISIONS			
REV.	DESCRIPTION	DATE	APPROVED
A	ECO-0029	08-11-00	
B	CO 013 Drafting Update	04-25-05	Rick C.



UNLESS OTHERWISE SPECIFIED DIMENSIONS ARE IN INCHES TOLERANCES ARE:		<b>VALUE PLASTICS, INC.</b>	
FRACTIONS ±	DECIMALS .XX ±.01 .XXX ±.005 .XXXX ±.001	ANGULAR ±1°	PART NUMBER: <b>MTL250</b>
DO NOT SCALE DRAWING		DESCRIPTION: Male Luer Integral Lock Ring to 200 Series Barb, 3/16" (4.75 mm) ID Tubing	
DRAWN BY: <b>Frank Lombardi 4-18-05</b>	DATE:	SIZE: B	SCALE: NTS
ENGINEER MANAGER: <b>Rick Cairns</b>		DRAWING NUMBER: <b>1005491</b>	REV. B
© 2004 VALUE PLASTICS, INC.		SHEET: 1 OF 1	

**FOR REFERENCE ONLY**