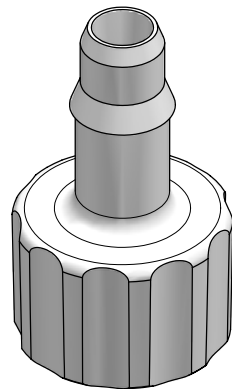
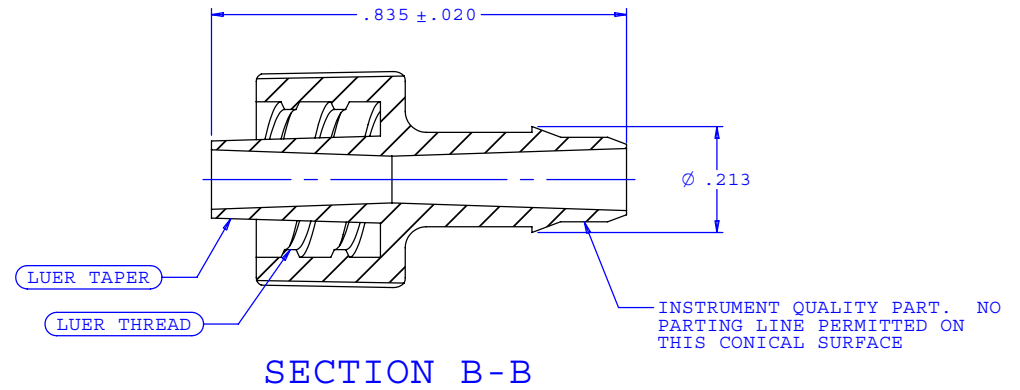
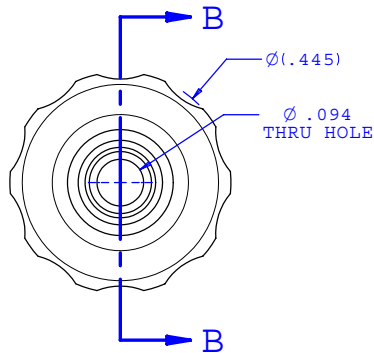


NOTE: FOR MORE DETAILS SEE YOUR V.P.CUSTOMER SERVICE REP.

REVISIONS			
REV.	DESCRIPTION	DATE	APPROVED
A	ECO-0029	08-18-00	
B	CO 015 Drafting Update	05-09-05	Rick C.



UNLESS OTHERWISE SPECIFIED DIMENSIONS ARE IN INCHES TOLERANCES ARE:		VALUE PLASTICS, INC.	
FRACTIONS ±	DECIMALS .XX ±.01 .XXX ±.005 .XXXX ±.001	ANGULAR ±1°	PART NUMBER: MTLL445
DO NOT SCALE DRAWING		DESCRIPTION: Male Luer Integral Lock Ring to 400 Series Barb, .170" (4.25 mm) ID Tubing	
DRAWN BY: Frank Lombardi	DATE: 04-27-05	SIZE: B	SCALE: NTS
Engineer Manager: Rick Cairns		DRAWING NUMBER: 1006420	REV. B
© 2005 VALUE PLASTICS, INC.		SHEET: 1 OF 1	

FOR REFERENCE ONLY