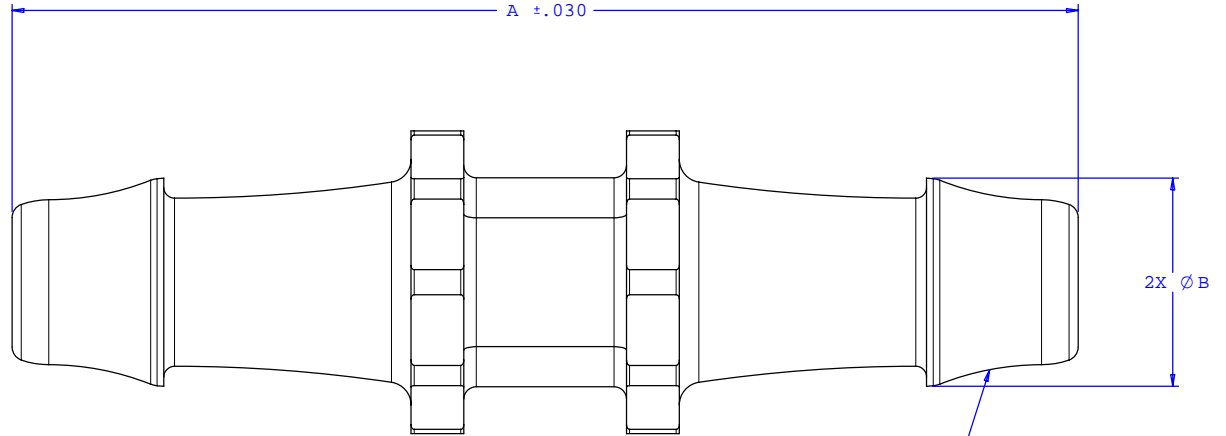
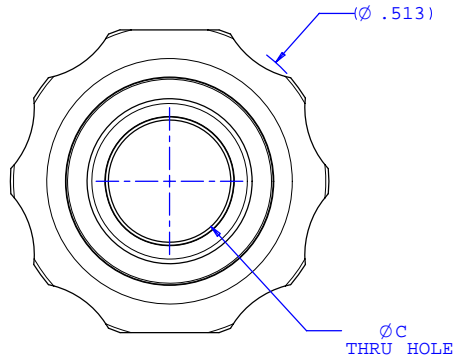
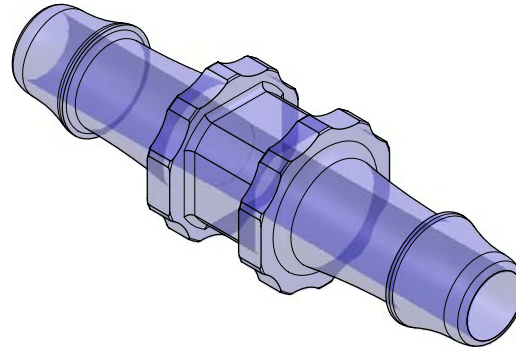


NOTE: FOR MORE DETAILS SEE YOUR V.P.CUSTOMER SERVICE REP.

REVISIONS			
REV.	DESCRIPTION	DATE	APPROVED
A	INITIAL RELEASE	12-03-99	
B	CO 039 Drafting Update	04-12-06	Rick C.



2X INSTRUMENT QUALITY PART. NO PARTING LINE PERMITTED ON THIS CONICAL SURFACE



Dimension	Material Specific Tolerances							
	Acetal	Nylon	PP	ABS	PC	PVC	Polysulfone	J1A
A	1.716	1.716	1.716	1.716	1.716	1.716	1.716	1.685
B	.335	.335	.335	.335	.335	.335	.335	.328
C	.197	.197	.197	.197	.197	.197	.197	.191
D								
E								
F								

UNLESS OTHERWISE SPECIFIED DIMENSIONS ARE IN INCHES TOLERANCES ARE:			VALUE PLASTICS, INC.		
FRACTIONS ±	DECIMALS .XX ±.01 .XXX ±.005 .XXXX ±.001	ANGULAR ±1°	PART NUMBER: N055		
DO NOT SCALE DRAWING			DESCRIPTION: Straight Through Connector with 500 Series Barbs, 1/4" (6.25 mm) ID Tubing		
DRAWN BY: Frank Lombardi	DATE: 01-21-06	SIZE: B	SCALE: NTS	DRAWING NUMBER: 1008147	REV. B
Engineer/Manager: Rick Cairns			© 2006 VALUE PLASTICS, INC.		SHEET: 1 OF 1

FOR REFERENCE ONLY