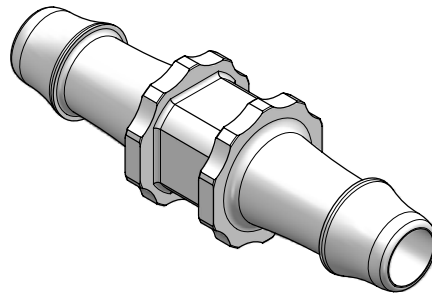
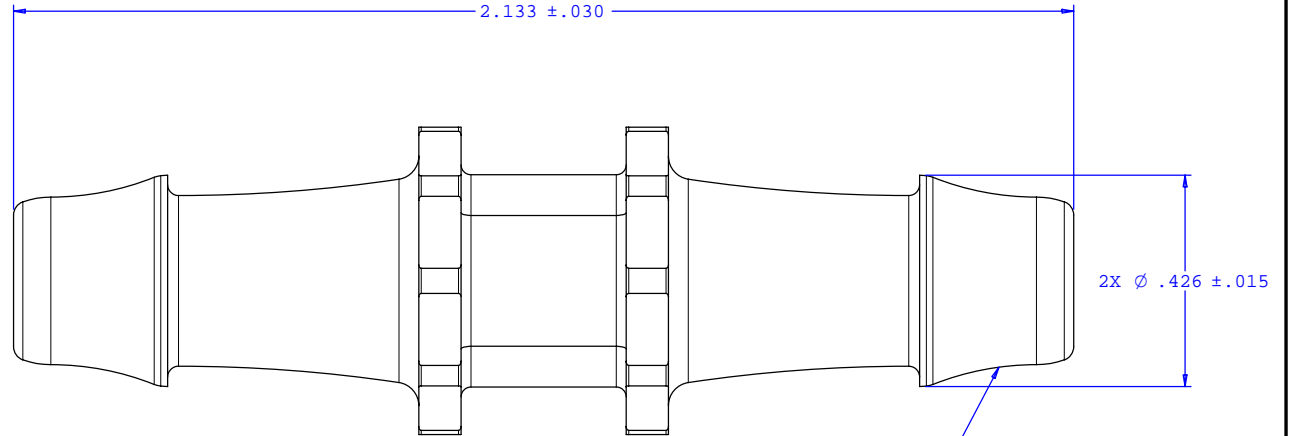
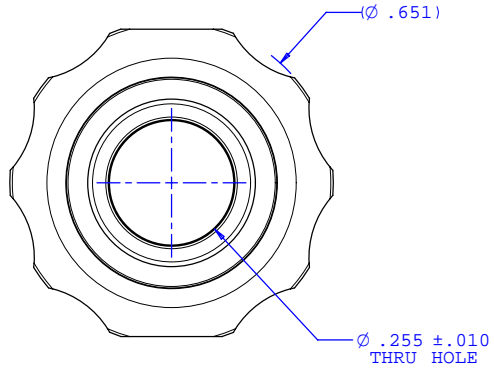


NOTE: FOR MORE DETAILS SEE YOUR V.P. CUSTOMER SERVICE REP.

REVISIONS			
REV.	DESCRIPTION	DATE	APPROVED
A	INITIAL RELEASE	12-03-99	
B	CO 039 Drafting Update	04-12-06	Rick C.



UNLESS OTHERWISE SPECIFIED DIMENSIONS ARE IN INCHES TOLERANCES ARE:		VALUE PLASTICS, INC.	
FRACTIONS ±	DECIMALS .XX ±.01 .XXX ±.005 .XXXX ±.001	ANGULAR ±1°	PART NUMBER: N065
DO NOT SCALE DRAWING		DESCRIPTION: Straight Through Connector with 500 Series Barbs, 5/16" (8 mm) ID Tubing	
DRAWN BY: Frank Lombardi	DATE: 01-21-06	SIZE: B	SCALE: NTS
ENGINEER/ MANAGER: Rick Cairns	DRAWING NUMBER: 1008148	REV. B	SHEET: 1 OF 1
© 2006 VALUE PLASTICS, INC.			

FOR REFERENCE ONLY