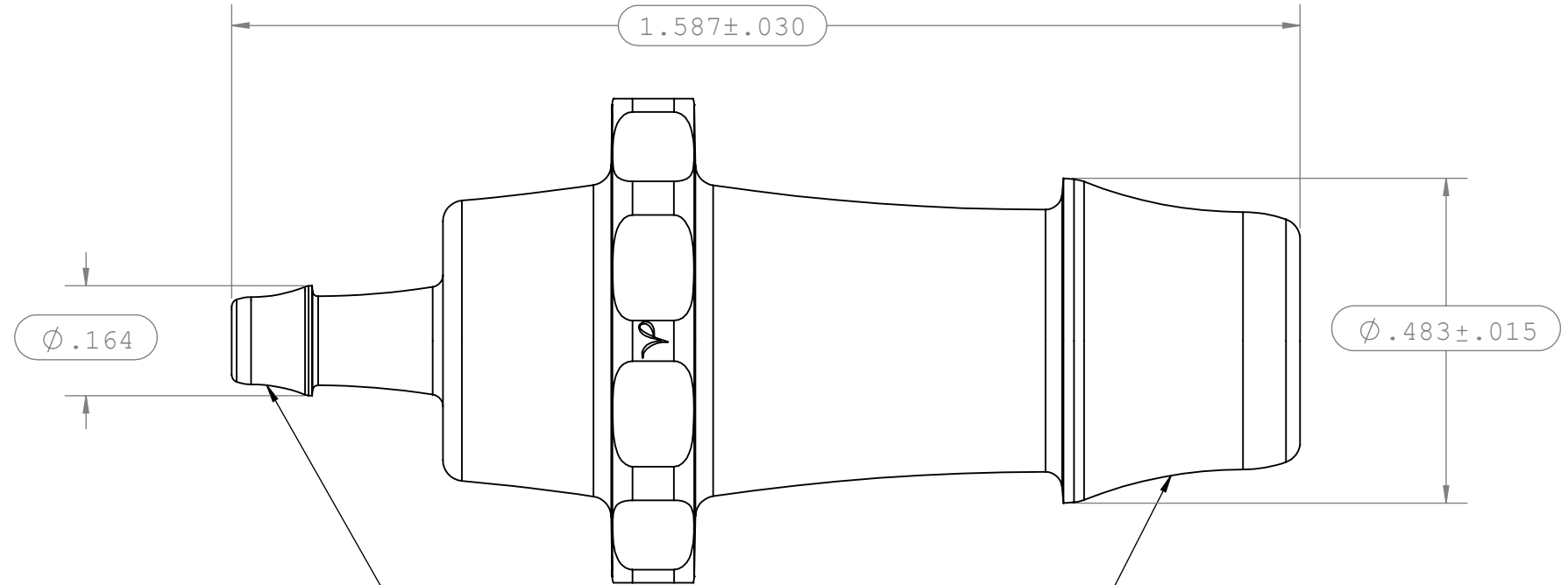
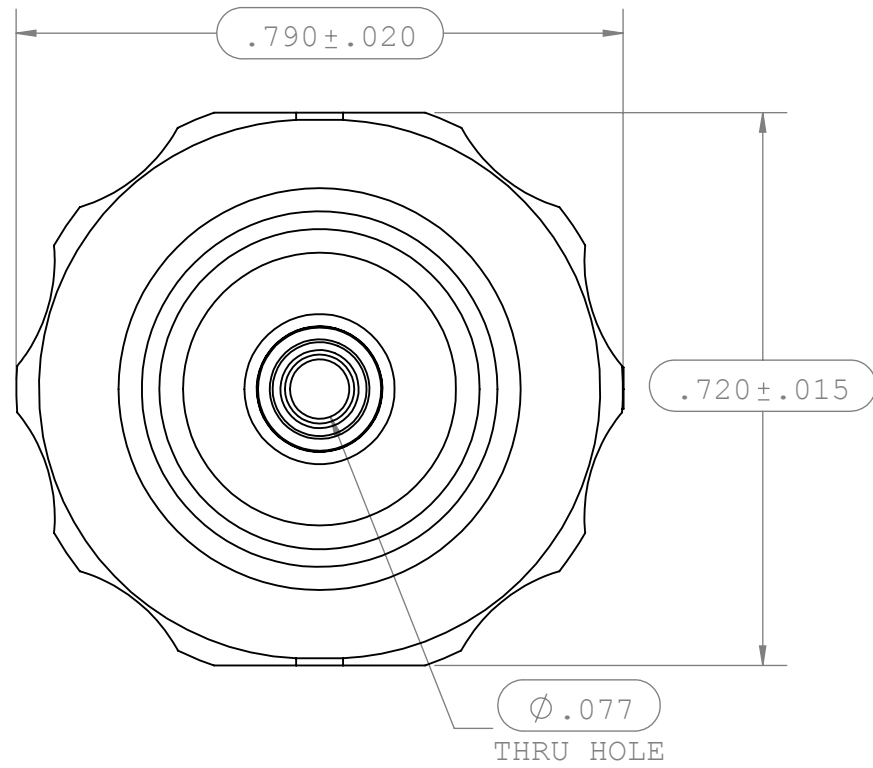
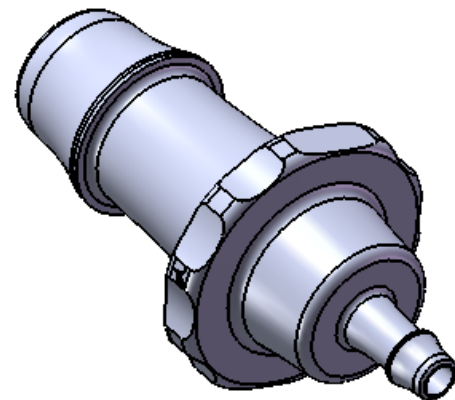


NOTES: FOR ADDITIONAL DETAILS, PLEASE CONTACT VP CUSTOMER SERVICE  
 DIMENSIONS MARKED  $\square$  ARE CONTROL DIMENSIONS

REVISIONS			
REV.	DESCRIPTION	DATE	APPROVED
A	INITIAL RELEASE	02-06-03	
B	CO 039 Drafting Update	04-12-06	Rick C.
C	ECO 336	06-09-16	FJL



2X INSTRUMENT QUALITY PART.  
 NO PARTING LINE PERMITTED ON  
 THIS CONICAL SURFACE.



UNLESS OTHERWISE SPECIFIED DIMENSIONS ARE IN INCHES TOLERANCES ARE:		<b>VALUE PLASTICS, INC</b>			
FRACTIONS    DECIMAL    ANGULAR $\pm$ .XX $\pm$ .01 $\pm$ 1° .XXX $\pm$ .005 .XXXX $\pm$ .001		PART NUMBER: N070-013			
DO NOT SCALE DRAWING		DESCRIPTION: Straight Through Reduction Tube Fitting with 500 Series Barbs, 3/8" (9.5 mm) and 1/8" (3.2 mm) ID Tubing			
DRAWN BY: shannond	DATE: 6/9/2016	SIZE: <b>B</b>	SCALE: NTS	VER: 	DWG. NO.    REV 1008286    C
MANAGER: RICKC		© 2011 VALUE PLASTICS, INC			SHEET: 1 OF 1

**FOR REFERENCE ONLY**