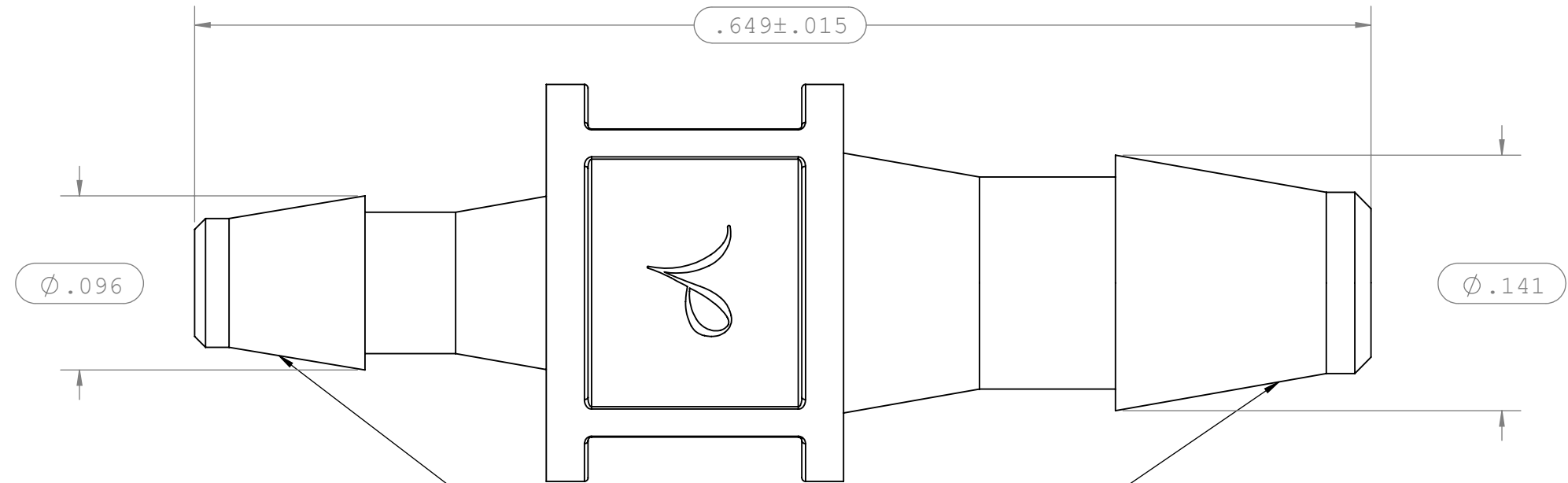
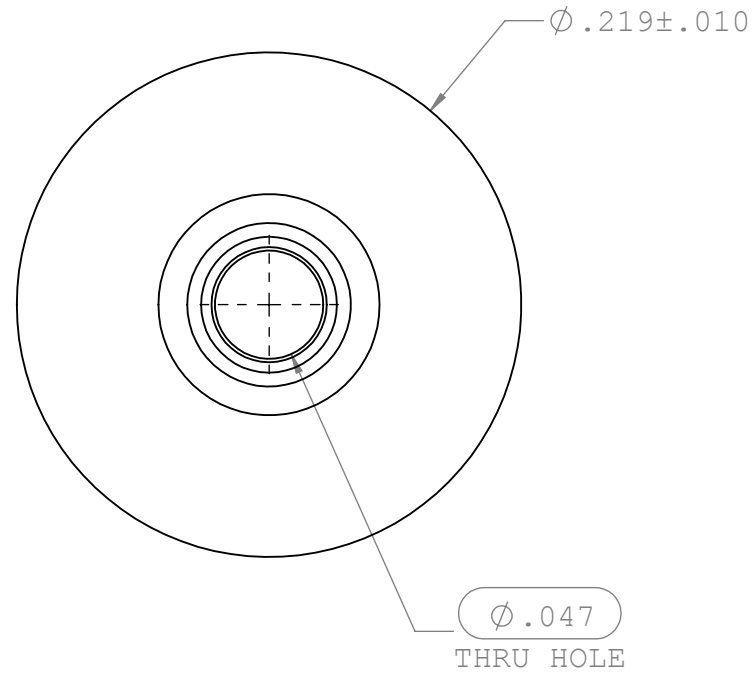
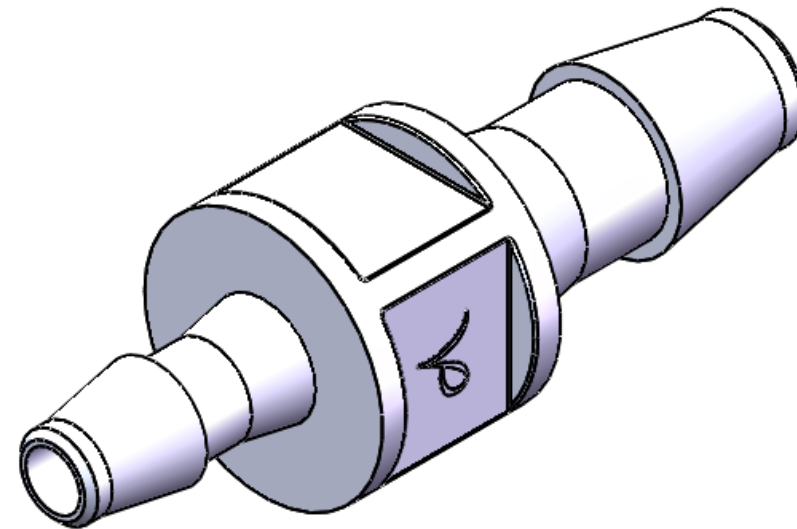


NOTES: FOR ADDITIONAL DETAILS, PLEASE CONTACT VP CUSTOMER SERVICE
 DIMENSIONS MARKED ϕ ARE CONTROL DIMENSIONS

REVISIONS			
REV.	DESCRIPTION	DATE	APPROVED
A	INITIAL RELEASE	02-11-97	
B	CO 039 Drafting Update	05-08-06	Rick C.
C	ECO 221: Add Flat Grip	1-7-13	S.N.R



INSTRUMENT QUALITY PART.
 NO PARTING LINE PERMITTED
 ON THIS CONICAL SURFACE.



UNLESS OTHERWISE SPECIFIED DIMENSIONS ARE IN INCHES TOLERANCES ARE:		VALUE PLASTICS, INC			
FRACTIONS DECIMAL ANGULAR ± .XX ±.01 ± 1° .XXX ±.005 .XXXX ±.001		PART NUMBER: N220-210			
DO NOT SCALE DRAWING		DESCRIPTION: Straight Through Reduction Tube Fitting with 200 Series Barbs, 3/32" (2.4 mm) and 1/16" (1.6 mm) ID Tubing			
DRAWN BY: Marcus Kincaid	DATE: 1/7/2014	SIZE: B	SCALE: NTS	VER:	DWG. NO. 1008185
MANAGER: Rick C.		© 2012 VALUE PLASTICS, INC			REV C
				SHEET: 1 OF 1	

FOR REFERENCE ONLY