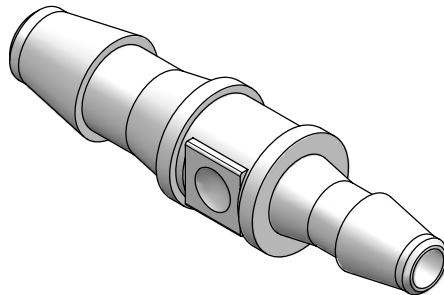
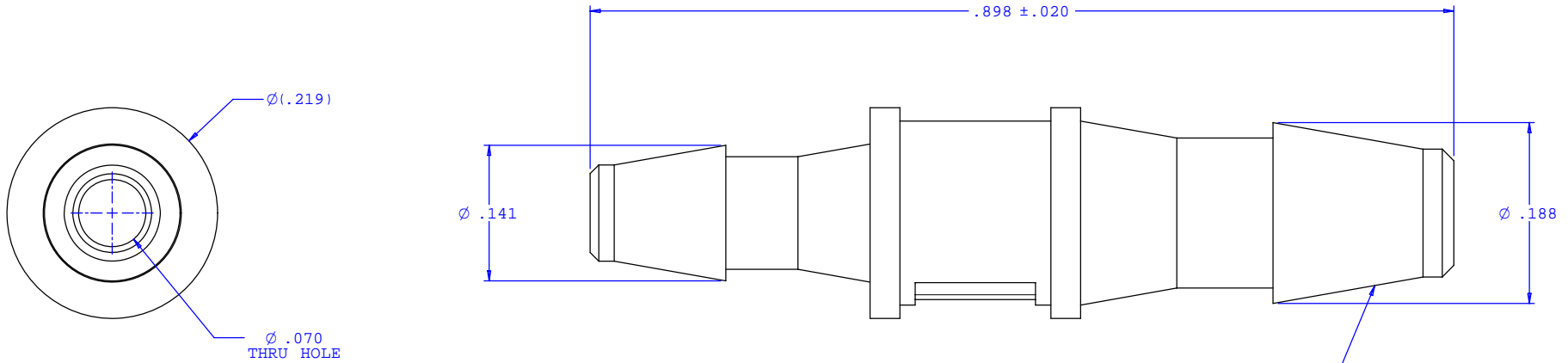


NOTE: FOR MORE DETAILS SEE YOUR V.P. CUSTOMER SERVICE REP.

REVISIONS			
REV.	DESCRIPTION	DATE	APPROVED
A	INITIAL RELEASE	02-11-97	
B	CO 039 Drafting Update	05-08-06	Rick C.



UNLESS OTHERWISE SPECIFIED DIMENSIONS ARE IN INCHES TOLERANCES ARE:		<b>VALUE PLASTICS, INC.</b>	
FRACTIONS	DECIMALS	ANGULAR	PART NUMBER: <b>N230/220</b>
±	.XX ±.01	±1°	DESCRIPTION: Straight Through Reduction Connector with 200 Series Barbs, 1/8" (3 mm) and 3/32" (2.25 mm) ID Tubing
	.XXX ±.005		
	.XXXX ±.001		
DO NOT SCALE DRAWING			
DRAWN BY:	DATE:	SIZE:	SCALE:
<b>Frank Lombardi</b>	<b>01-28-06</b>	<b>B</b>	<b>NTS</b>
Engineer/Manager:		DRAWING NUMBER:	REV.
<b>Rick Cairns</b>		<b>1008187</b>	<b>B</b>
© 2006 VALUE PLASTICS, INC.			SHEET: 1 OF 1

**FOR REFERENCE ONLY**