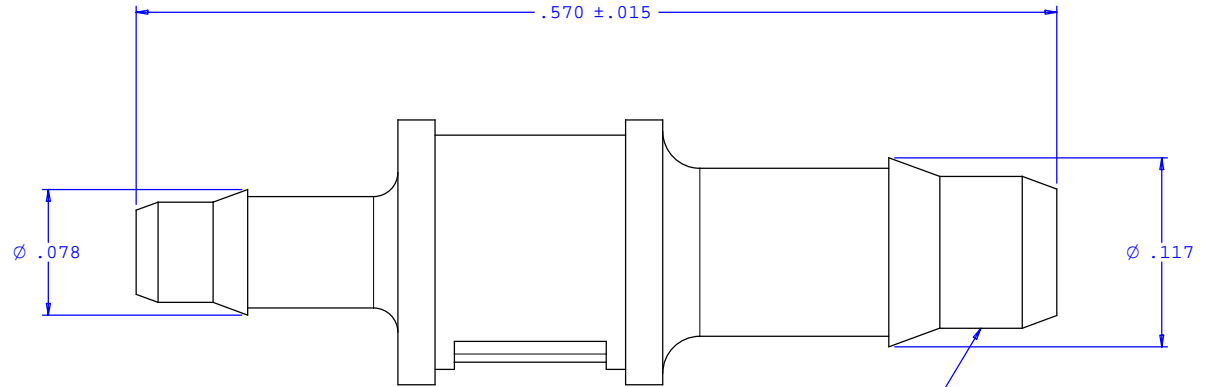
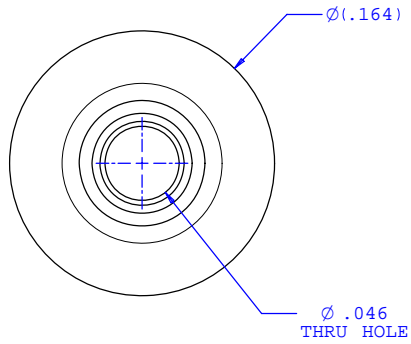
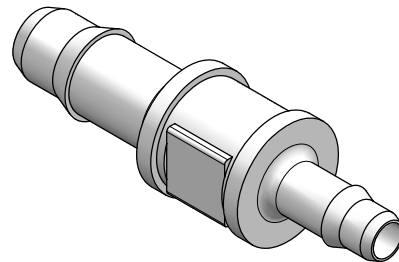


NOTE: FOR MORE DETAILS SEE YOUR V.P. CUSTOMER SERVICE REP.

REVISIONS			
REV.	DESCRIPTION	DATE	APPROVED
A	INITIAL RELEASE	02-19-97	
B	CO 039 Drafting Update	05-08-06	Rick C.



2X INSTRUMENT QUALITY PART. NO PARTING LINE PERMITTED ON THIS CONICAL SURFACE



UNLESS OTHERWISE SPECIFIED DIMENSIONS ARE IN INCHES TOLERANCES ARE:		VALUE PLASTICS, INC.	
FRACTIONS	DECIMALS	ANGULAR	PART NUMBER: N420/410
±	.XX ±.01 .XXX ±.005 .XXXX ±.001	±1°	DESCRIPTION: Straight Through Reduction Connector with 400 Series Barbs, 3/32" (2.25 mm) and 1/16" (1.5 mm) ID Tubing
DO NOT SCALE DRAWING			REV. B
DRAWN BY: Frank Lombardi	DATE: 01-28-06	SIZE: B SCALE: NTS	DRAWING NUMBER: 1008188
Engineer/Manager: Rick Cairns		© 2006 VALUE PLASTICS, INC.	SHEET: 1 OF 1

FOR REFERENCE ONLY