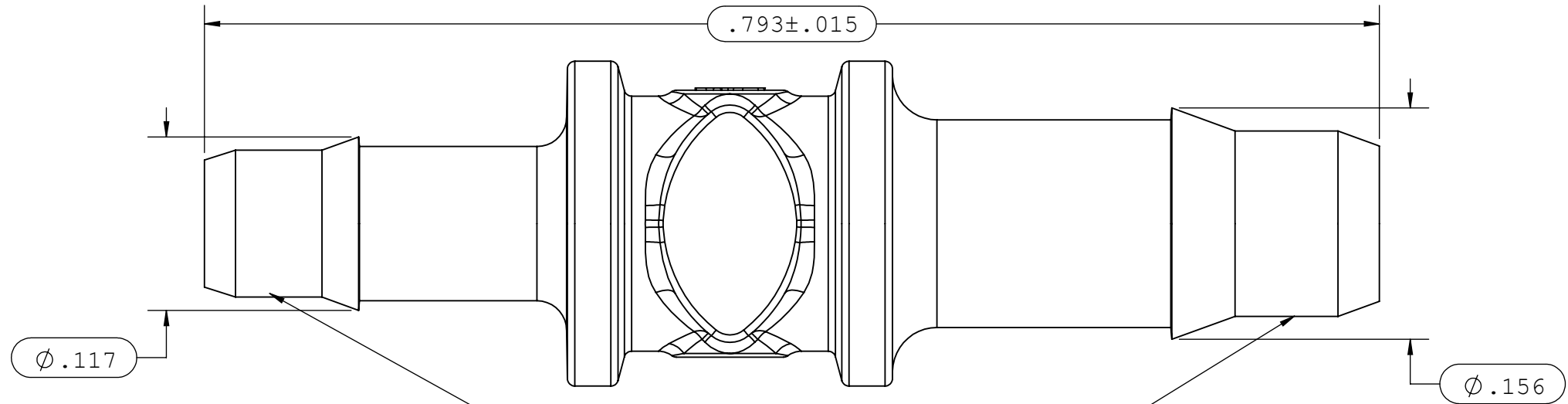
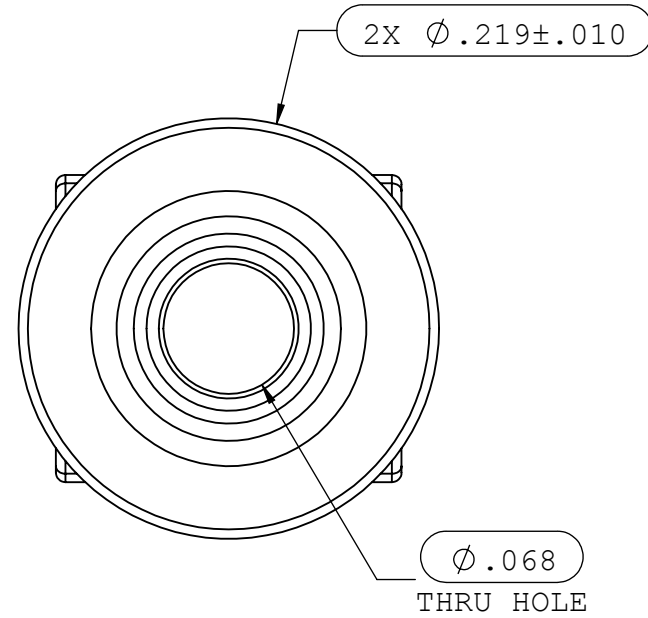
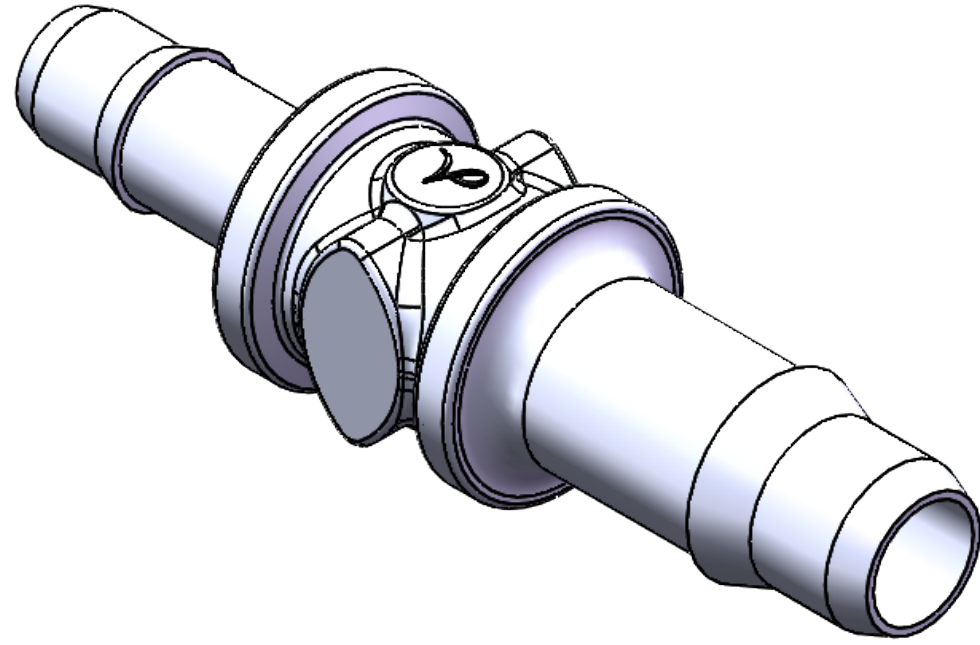


NOTES: FOR ADDITIONAL DETAILS, PLEASE CONTACT VP CUSTOMER SERVICE  
 DIMENSIONS MARKED  $\phi$  ARE CONTROL DIMENSIONS

REVISIONS			
REV.	DESCRIPTION	DATE	APPROVED
A	INNITIAL RELEASE	02-19-97	
B	CO 039 DRAFTING UPDATE	05-08-06	RICK C.
C	ECO 182 DRAFTING UPDATE	04-08-11	RICK C.
D	ECO 346	12-15-17	FJL
E	ECO 382	08-17-18	FJL



INSTRUMENT QUALITY PART;  
 NO PARTING LINES PERMITTED  
 ON THESE CONICAL SURFACES

UNLESS OTHERWISE SPECIFIED DIMENSIONS ARE IN INCHES TOLERANCES ARE:		<b>VALUE PLASTICS, INC</b>			
FRACTIONS    DECIMAL    ANGULAR $\pm$ .XX $\pm$ .01 $\pm$ 1° .XXX $\pm$ .005 .XXXX $\pm$ .001  DO NOT SCALE DRAWING		PART NUMBER: N430-420			
		DESCRIPTION: Straight Through Reduction Connector with 400 Series Barbs, 1/8" (3mm) and 3/32" (2.25mm) ID Tubing			
DRAWN BY: kyles	DATE: 08/18/2016	SIZE: <b>B</b>	SCALE: NTS	VER: 	DWG. NO.    REV 1008190    E
MANAGER: Frank.Lombardi		© 2011 VALUE PLASTICS, INC			SHEET: 1 OF 1

**FOR REFERENCE ONLY**