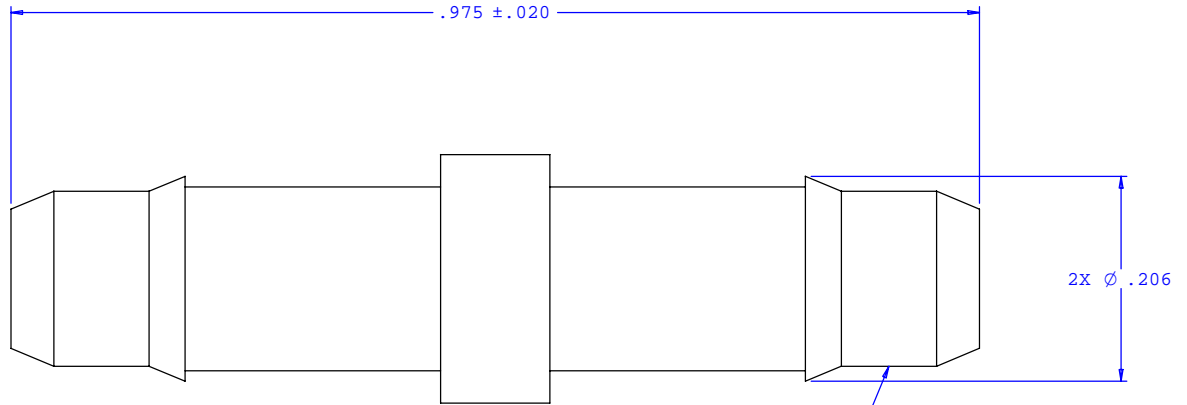
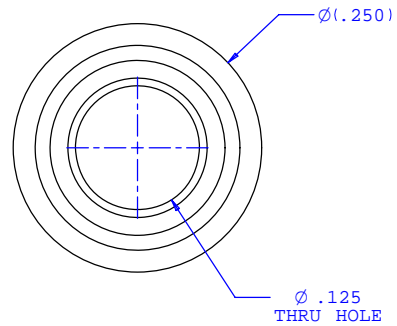
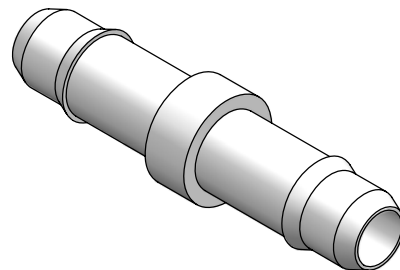


NOTE: FOR MORE DETAILS SEE YOUR V.P. CUSTOMER SERVICE REP.

REVISIONS			
REV.	DESCRIPTION	DATE	APPROVED
A	INITIAL RELEASE	08-31-98	
B	CO 039 Drafting Update	05-08-06	Rick C.



2X INSTRUMENT QUALITY PART. NO  
PARTING LINE PERMITTED ON  
THIS CONICAL SURFACE



UNLESS OTHERWISE SPECIFIED DIMENSIONS ARE IN INCHES TOLERANCES ARE:		<b>VALUE PLASTICS, INC.</b>	
FRACTIONS ±	DECIMALS .XX ±.01 .XXX ±.005 .XXXX ±.001	ANGULAR ±1°	PART NUMBER: <b>N440</b>
DO NOT SCALE DRAWING		DESCRIPTION: Straight Through Connector with 400 Series Barbs, 5/32" (4 mm) ID Tubing	
DRAWN BY: <b>Frank Lombardi</b>	DATE: <b>01-21-06</b>	SIZE: <b>B</b>	SCALE: <b>NTS</b>
ENGINEER/ MANAGER: <b>Rick Cairns</b>	DRAWING NUMBER: <b>1008154</b>	REV. <b>B</b>	SHEET: 1 OF 1
		© 2005 VALUE PLASTICS, INC.	

**FOR REFERENCE ONLY**