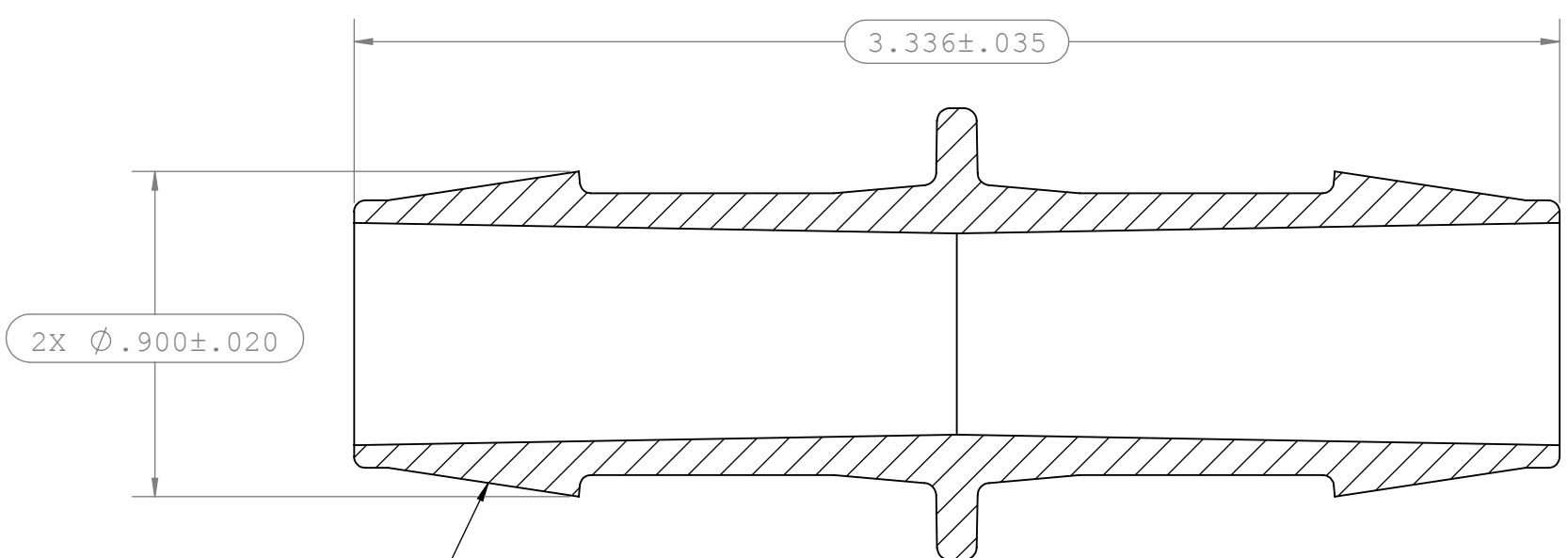
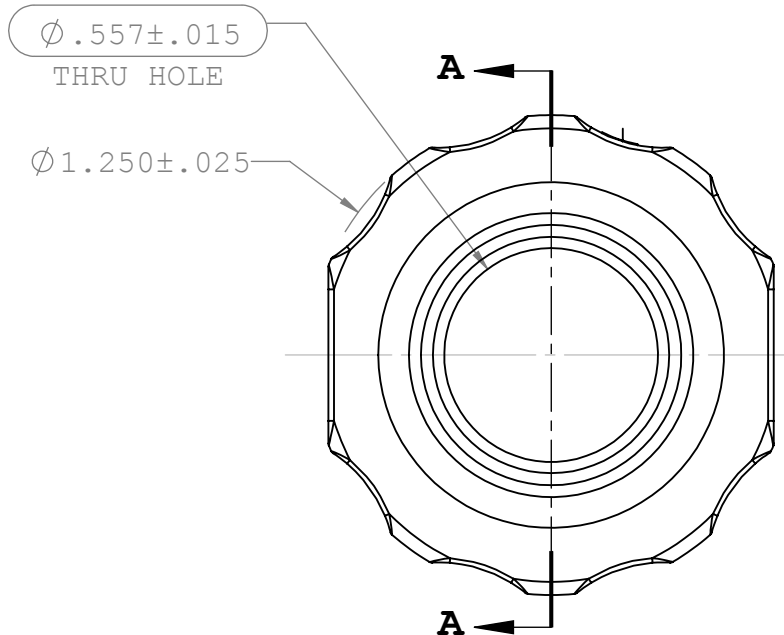


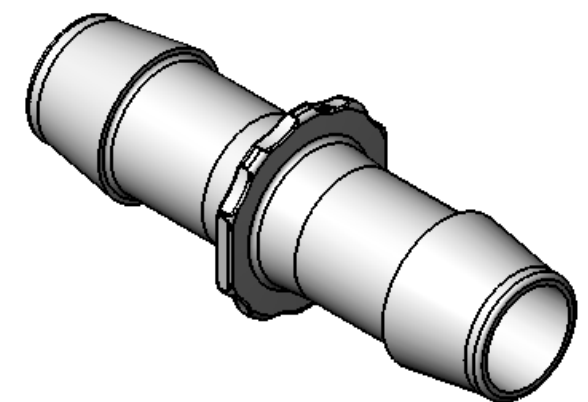
NOTES: FOR ADDITIONAL DETAILS, PLEASE CONTACT VP CUSTOMER SERVICE  
 DIMENSIONS MARKED   ARE CONTROL DIMENSIONS

REVISIONS			
REV.	DESCRIPTION	DATE	APPROVED
A	INITIAL RELEASE	3-7-2014	S.N.R



**SECTION A-A**

2X INSTRUMENT QUALITY PART. NO PARTING LINE PERMITTED ON THIS CONICAL SURFACE.



UNLESS OTHERWISE SPECIFIED DIMENSIONS ARE IN INCHES TOLERANCES ARE:		<b>VALUE PLASTICS, INC</b>			
FRACTIONS    DECIMAL    ANGULAR ±            .XX ±.01    ± 1° .XXX ±.005 .XXXX ±.001  DO NOT SCALE DRAWING		PART NUMBER: N6100			
DESCRIPTION: Straight Through Tube Fitting with 600 Series Barbs, 3/4" (19 mm) ID Tubing		SIZE:	SCALE:	VER:	DWG. NO.
DRAWN BY: Jonathan Mayer	DATE: 4/17/2014	<b>B</b>	NTS		1030115
MANAGER: Ravi Narayanan		© 2011 VALUE PLASTICS, INC			SHEET: 1 OF 1

**FOR REFERENCE ONLY**