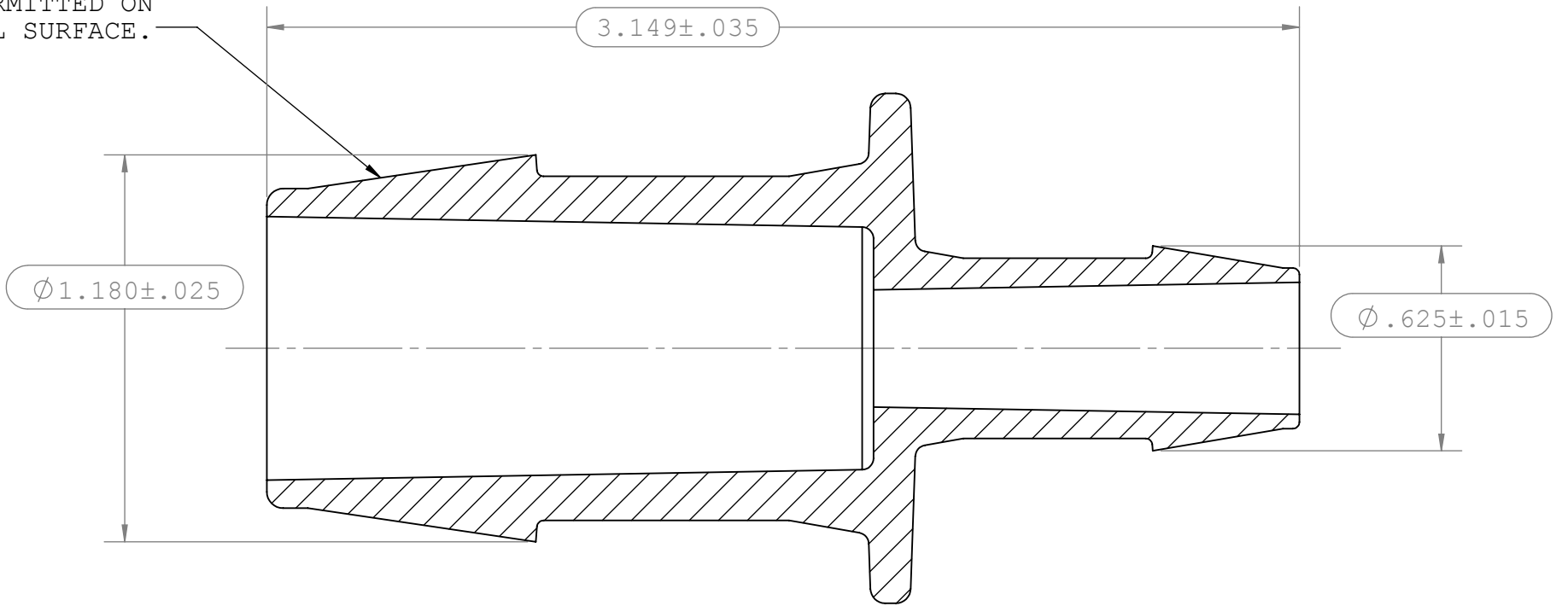
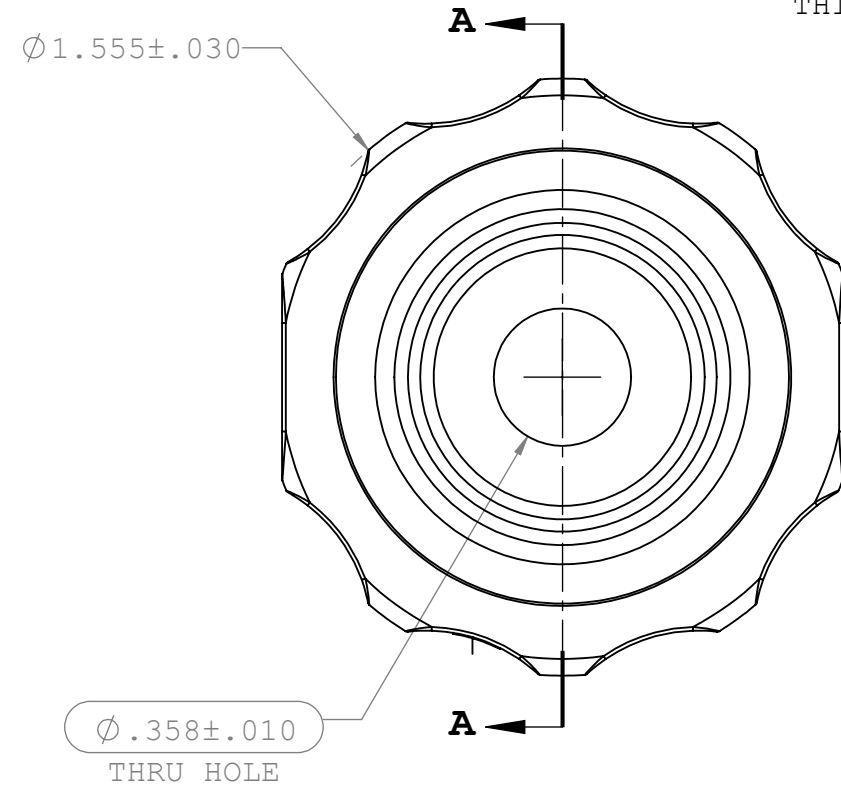


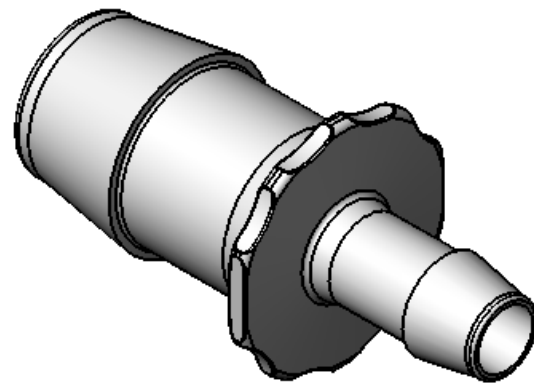
NOTES: FOR ADDITIONAL DETAILS, PLEASE CONTACT VP CUSTOMER SERVICE
 DIMENSIONS MARKED $\text{\textcircled{ }}$ ARE CONTROL DIMENSIONS

REVISIONS			
REV.	DESCRIPTION	DATE	APPROVED
A	INITIAL RELEASE	04-15-14	HL

2X INSTRUMENT QUALITY PART. NO PARTING LINE PERMITTED ON THIS CONICAL SURFACE.



SECTION A-A



UNLESS OTHERWISE SPECIFIED DIMENSIONS ARE IN INCHES TOLERANCES ARE:		VALUE PLASTICS, INC			
FRACTIONS DECIMAL ANGULAR \pm .XX \pm .01 \pm 1° .XXX \pm .005 .XXXX \pm .001		PART NUMBER: N6110-680			
DO NOT SCALE DRAWING		DESCRIPTION: Straight Through Reduction Tube Fitting with 600 Series Barbs, 1" (25.4 mm) and 1/2" (12.7 mm) ID Tubing			
DRAWN BY: Jonathan Mayer	DATE: 4/15/2014	SIZE: B	SCALE: NTS	VER: 	DWG. NO. 1030119
MANAGER: Huadong L.		© 2011 VALUE PLASTICS, INC			REV A
				SHEET: 1 OF 1	

FOR REFERENCE ONLY