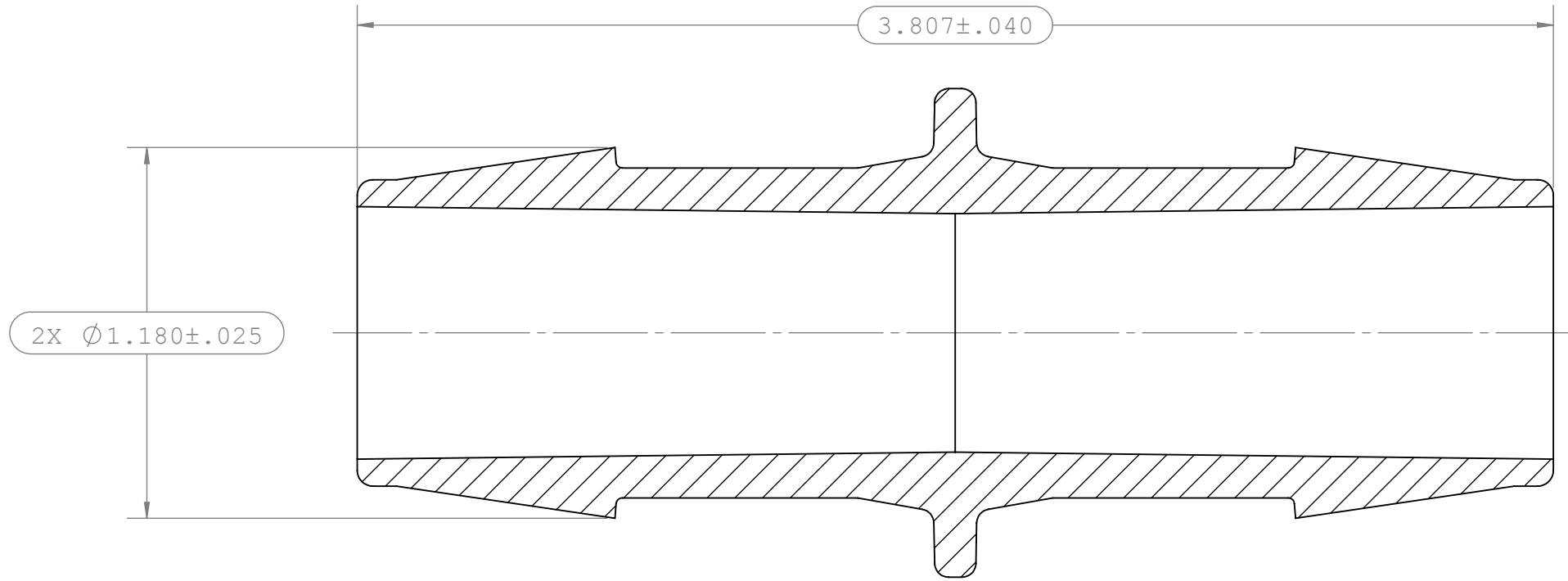
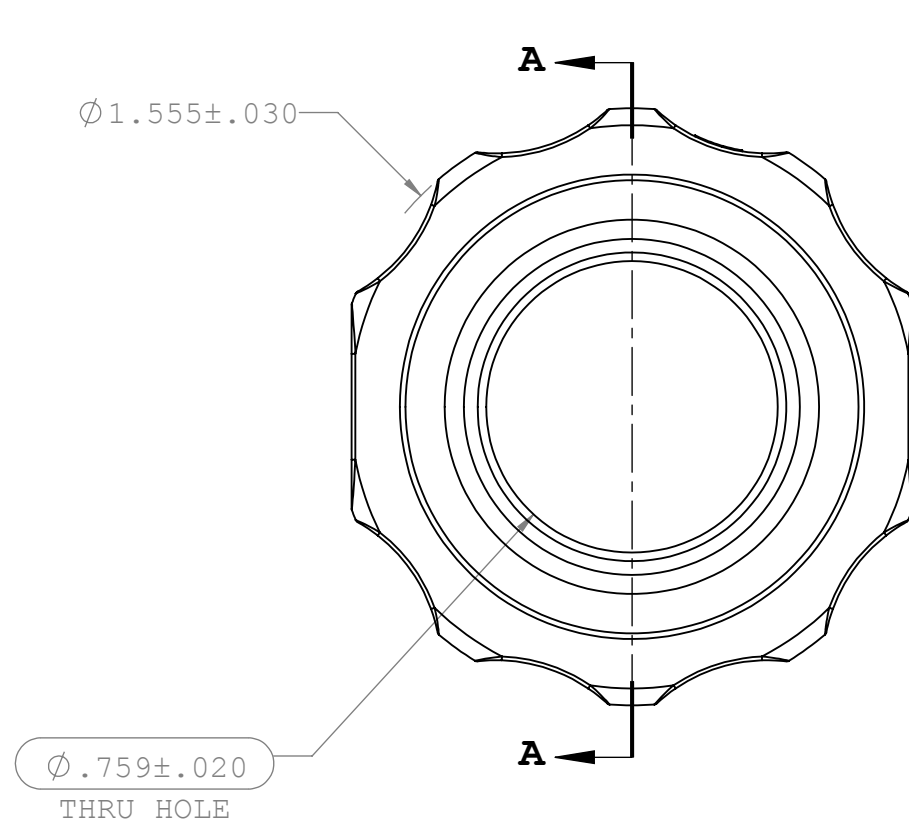
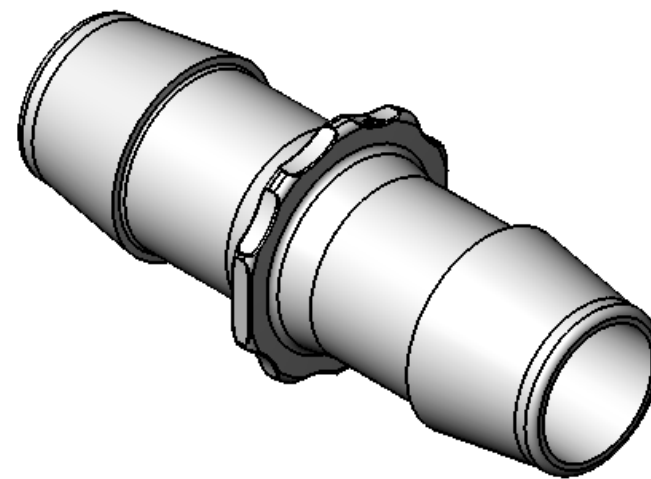


NOTES: FOR ADDITIONAL DETAILS, PLEASE CONTACT VP CUSTOMER SERVICE  
 DIMENSIONS MARKED    ARE CONTROL DIMENSIONS

REVISIONS			
REV.	DESCRIPTION	DATE	APPROVED
A	INITIAL RELEASE	3-7-2014	S.N.R



**SECTION A-A**



UNLESS OTHERWISE SPECIFIED DIMENSIONS ARE IN INCHES TOLERANCES ARE:		<b>VALUE PLASTICS, INC</b>			
FRACTIONS    DECIMAL    ANGULAR $\pm$ .XX $\pm .01$ $\pm 1^\circ$ .XXX $\pm .005$ .XXXX $\pm .001$		PART NUMBER: N6110			
DO NOT SCALE DRAWING		DESCRIPTION: Straight Through Tube Fitting with 600 Series Barbs, 1" (25.4 mm) ID Tubing			
DRAWN BY: Jonathan Mayer	DATE: 4/17/2014	SIZE: <b>B</b>	SCALE: NTS	VER: 	DWG. NO. 1030118
MANAGER: Ravi Narayanan		© 2011 VALUE PLASTICS, INC			REV A
				SHEET: 1 OF 1	

**FOR REFERENCE ONLY**