
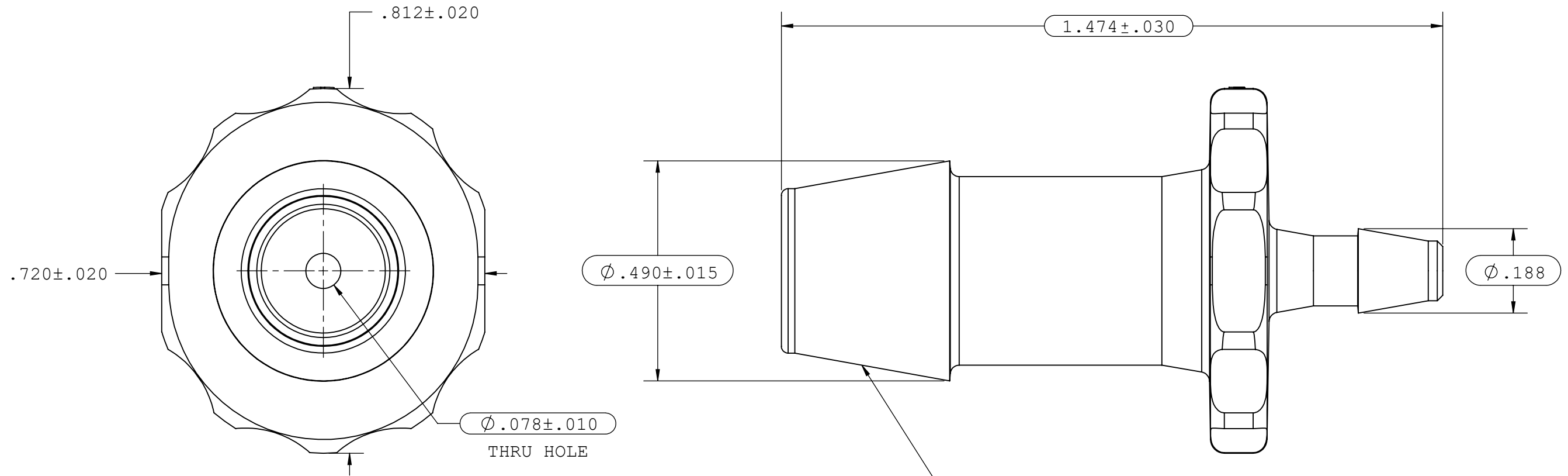
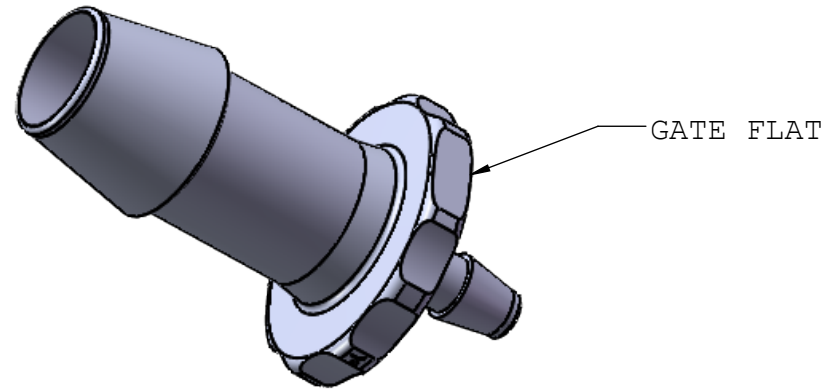


NOTES: FOR ADDITIONAL DETAILS, PLEASE CONTACT VP CUSTOMER SERVICE
 DIMENSIONS MARKED  ARE CONTROL DIMENSIONS

REVISIONS			
REV.	DESCRIPTION	DATE	APPROVED
A1	INITIAL CONCEPT	07-18-19	
A2	ADDED SURFACE FINISH CALLOUTS AND UPDATED VP LOGO SIZE	11-21-19	FJL



2X INSTRUMENT QUALITY PART. NO PARTING LINE PERMITTED ON THESE CONICAL SURFACES



UNLESS OTHERWISE SPECIFIED DIMENSIONS ARE IN INCHES TOLERANCES ARE:		VALUE PLASTICS, INC			
FRACTIONS	DECIMAL	ANGULAR	PART NUMBER: N670-630		
±	.XX ±.01 .XXX ±.005 .XXXX ±.001	± 1°	DESCRIPTION: Straight Through Reduction Connector With 600 Series Barbs, 3/8" (9.5mm) and 1/8" (3.2mm) ID Tubing		
DO NOT SCALE DRAWING		SIZE: B	SCALE: NTS	VER:	DWG. NO. 1085509
DRAWN BY: Frank.Lombardi	DATE: 11/21/2019	ENGINEERING MANAGER: Doug Kimmel		REV: A2	SHEET: 1 OF 1
© 2010 VALUE PLASTICS, INC					

FOR REFERENCE ONLY