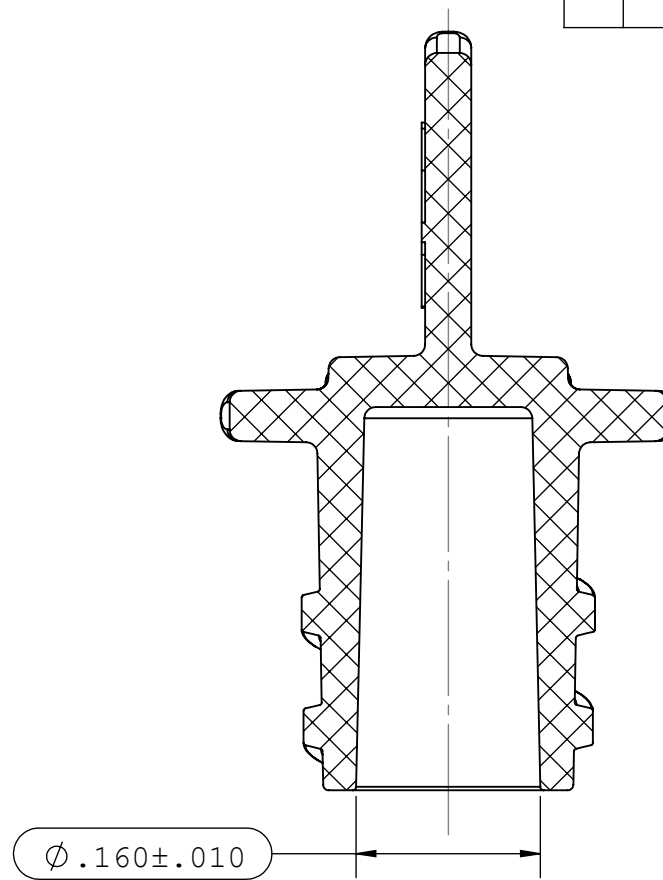
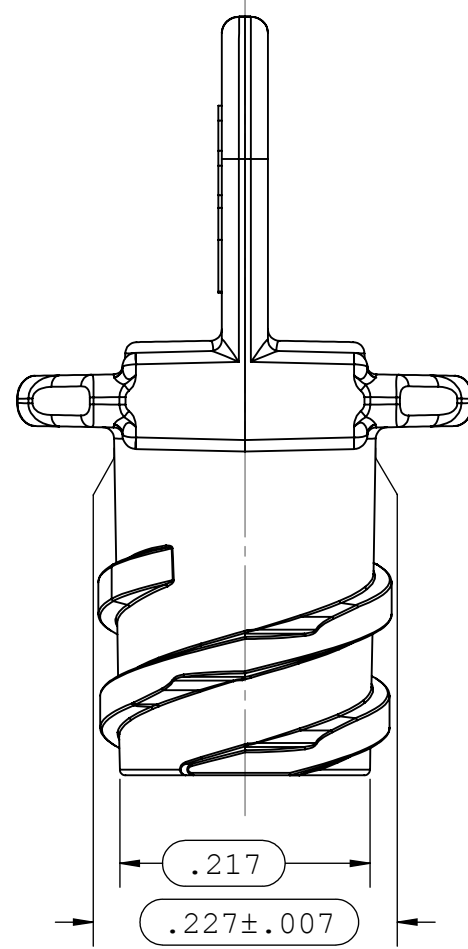
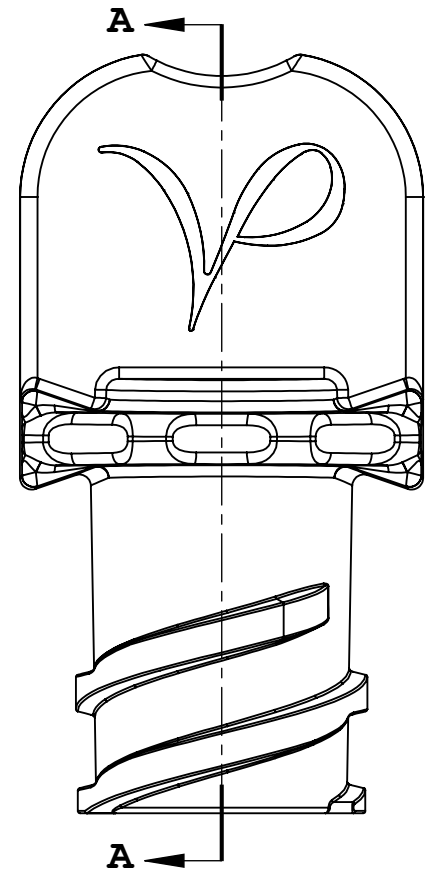
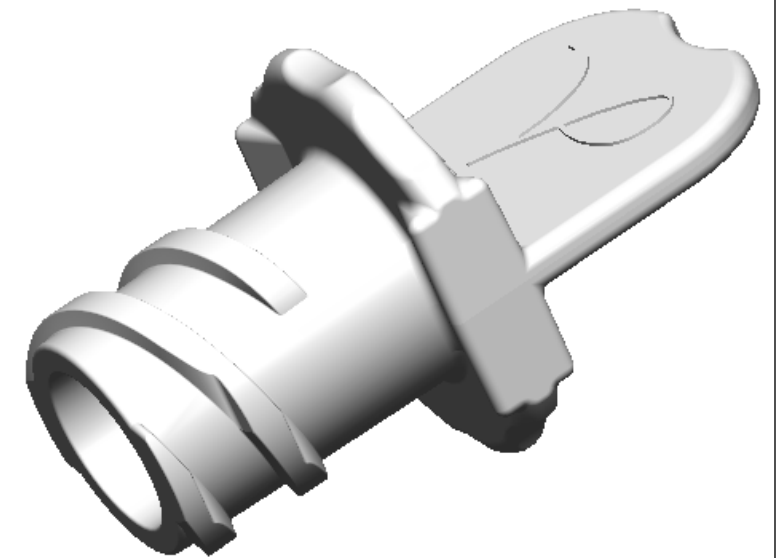
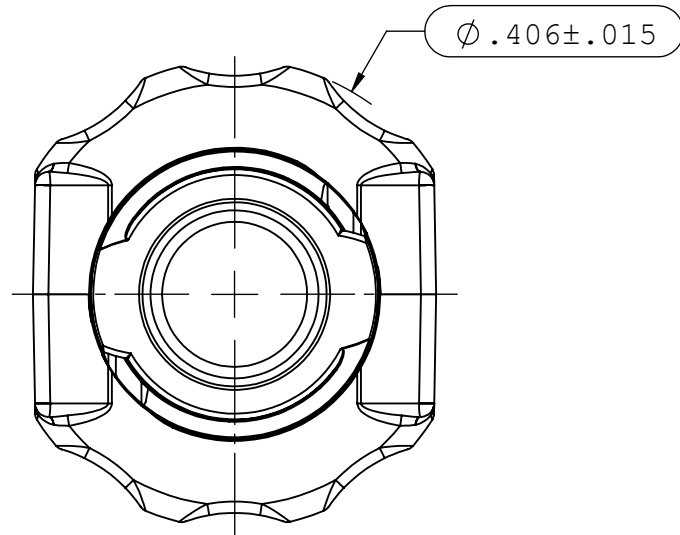


NOTES: FOR ADDITIONAL DETAILS, PLEASE CONTACT VP CUSTOMER SERVICE  
 DIMENSIONS MARKED  ARE CONTROL DIMENSIONS

REVISIONS			
REV.	DESCRIPTION	DATE	APPROVED
A	INITIAL RELEASE	12-05-16	FJL



SECTION A-A



UNLESS OTHERWISE SPECIFIED DIMENSIONS ARE IN INCHES TOLERANCES ARE:		<b>VALUE PLASTICS, INC</b>			
FRACTIONS    DECIMAL    ANGULAR ±            .XX ±.01            ± 1° .XXX ±.005 .XXXX ±.001		PART NUMBER: NEFCV			
DO NOT SCALE DRAWING		DESCRIPTION: Neuraxial Female Vented Cap fits Male Connector			
DRAWN BY: Pete L.	DATE: 12/5/2016	SIZE: <b>B</b>	SCALE: NTS	VER:	DWG. NO. 1041545
MANAGER: Frank.Lombardi		© 2014 VALUE PLASTICS, INC			REV A
				SHEET:	1 OF 1

**FOR REFERENCE ONLY**