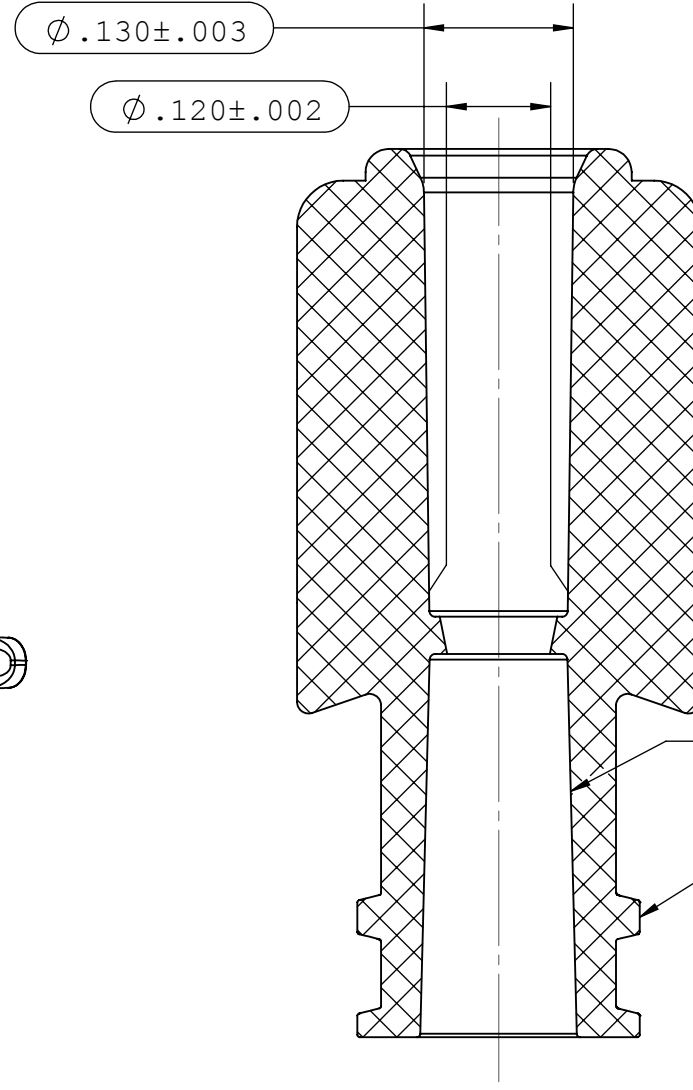
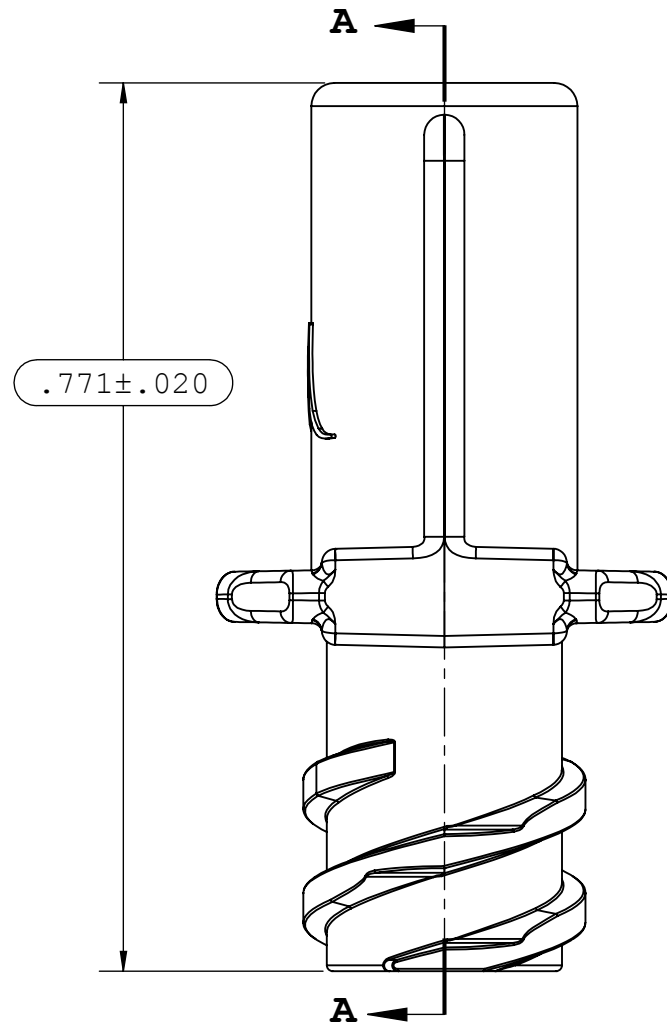
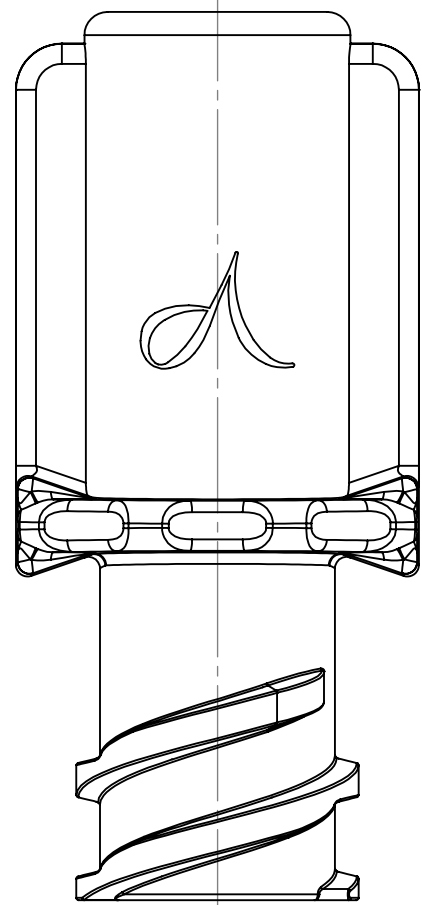


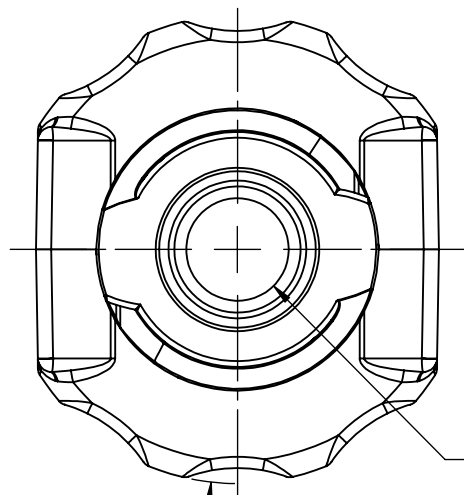
NOTES: FOR ADDITIONAL DETAILS, PLEASE CONTACT VP CUSTOMER SERVICE

1. DIMENSIONS MARKED ϕ ARE CONTROL DIMENSIONS
2. USE CG101 INSPECTION GAGE FOR TAPER
3. USE S69 INSPECTION GAGE FOR THREADS

REVISIONS			
REV.	DESCRIPTION	DATE	APPROVED
A	INITIAL RELEASE	12-05-16	FJL

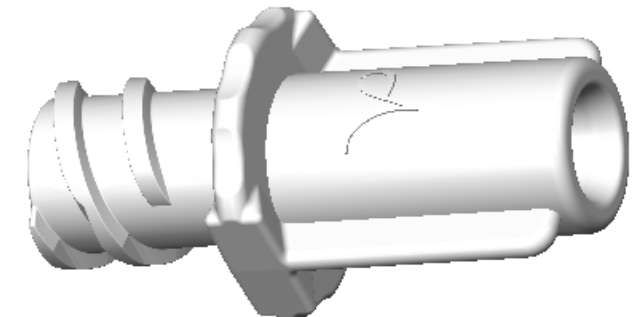


SECTION A-A



$\phi .089 \pm .003$
THRU HOLE

$\phi .406 \pm .011$



UNLESS OTHERWISE SPECIFIED DIMENSIONS ARE IN INCHES TOLERANCES ARE:		VALUE PLASTICS, INC			
FRACTIONS DECIMAL ANGULAR ± .XX ±.01 ± 1° .XXX ±.005 .XXXX ±.001		PART NUMBER: NEFE31			
DO NOT SCALE DRAWING		DESCRIPTION: Neuraxial Female Connector with 3.1mm Tubing Bond-in Pocket			
DRAWN BY: Pete L.	DATE: 12/5/2016	SIZE: B	SCALE: NTS	VER: 	DWG. NO. 1041743
MANAGER: Frank.Lombardi		© 2014 VALUE PLASTICS, INC		SHEET: 1 OF 1	
REV A					

FOR REFERENCE ONLY