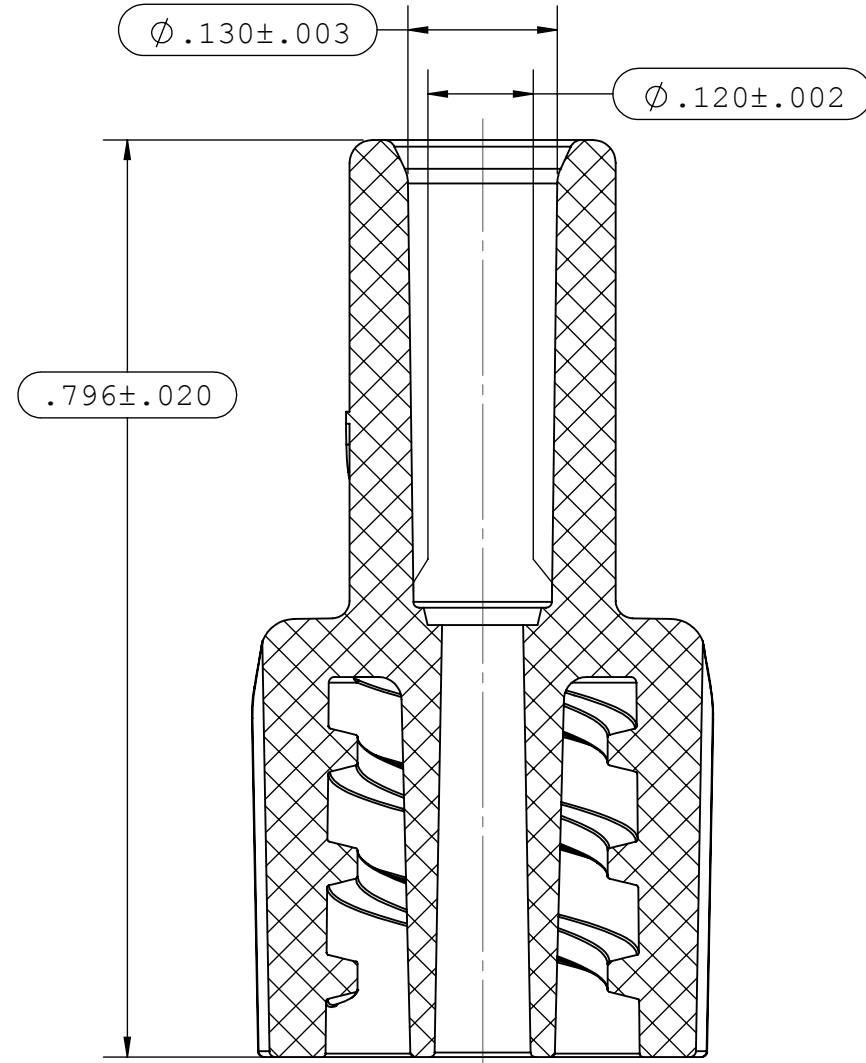
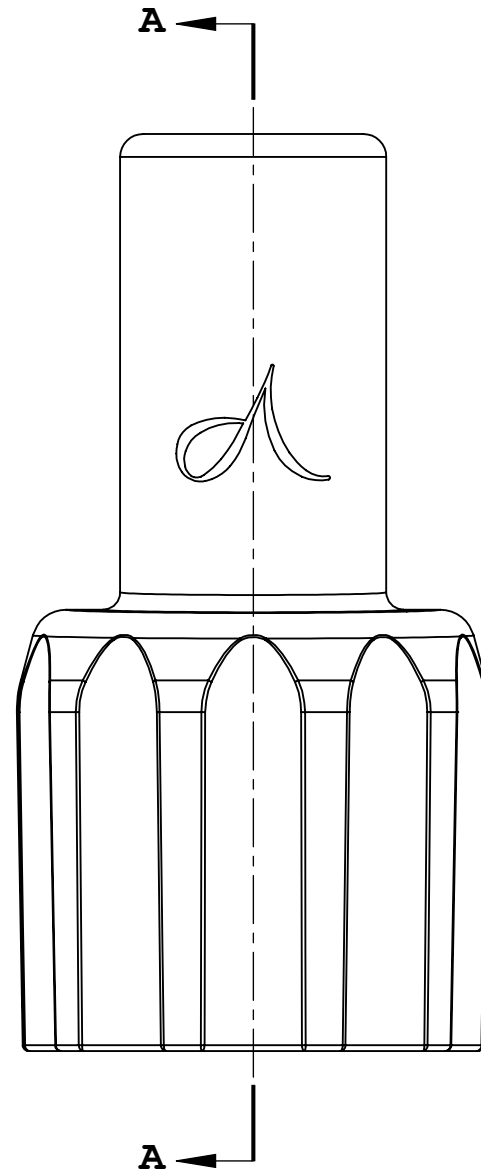


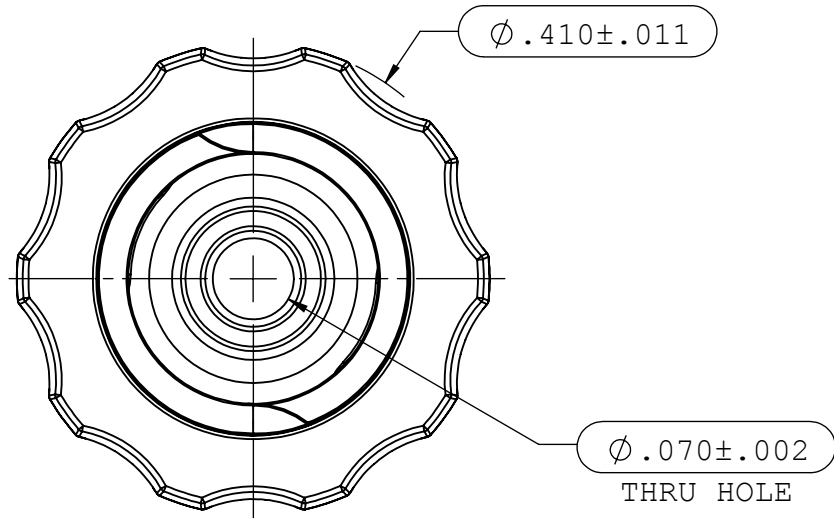
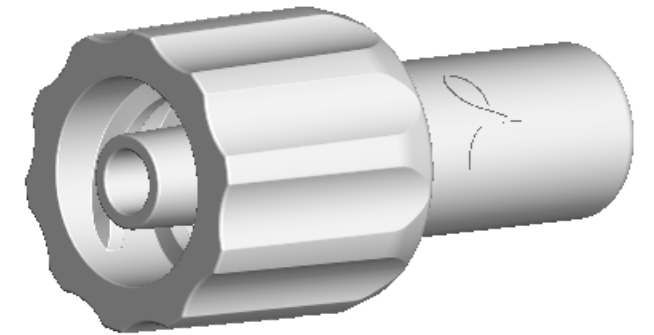
NOTES: FOR ADDITIONAL DETAILS, PLEASE CONTACT VP CUSTOMER SERVICE

1. DIMENSIONS MARKED  $\phi$  ARE CONTROL DIMENSIONS
2.  $\phi$  MUST USE CG102 INSPECTION GAGE FOR TAPER
3.  $\phi$  MUST USE S67 INSPECTION GAGE FOR THREADS

REVISIONS			
REV.	DESCRIPTION	DATE	APPROVED
A	INITIAL RELEASE	04-20-16	FJL



SECTION A-A



UNLESS OTHERWISE SPECIFIED DIMENSIONS ARE IN INCHES TOLERANCES ARE:		<b>VALUE PLASTICS, INC</b>			
FRACTIONS    DECIMAL    ANGULAR ±            .XX ±.01    ± 1° .XXX ±.005 .XXXX ±.001		PART NUMBER: NEME31			
DO NOT SCALE DRAWING		DESCRIPTION: Neuraxial Male Connector with 3.1mm Tubing Bond-in Pocket			
DRAWN BY: Pete L.	DATE: 4/20/2016	SIZE: <b>B</b>	SCALE: NTS	VER: 	DWG. NO.    REV 1039814    A
MANAGER: Frank.Lombardi		© 2014 VALUE PLASTICS, INC			SHEET: 1 OF 1

**FOR REFERENCE ONLY**