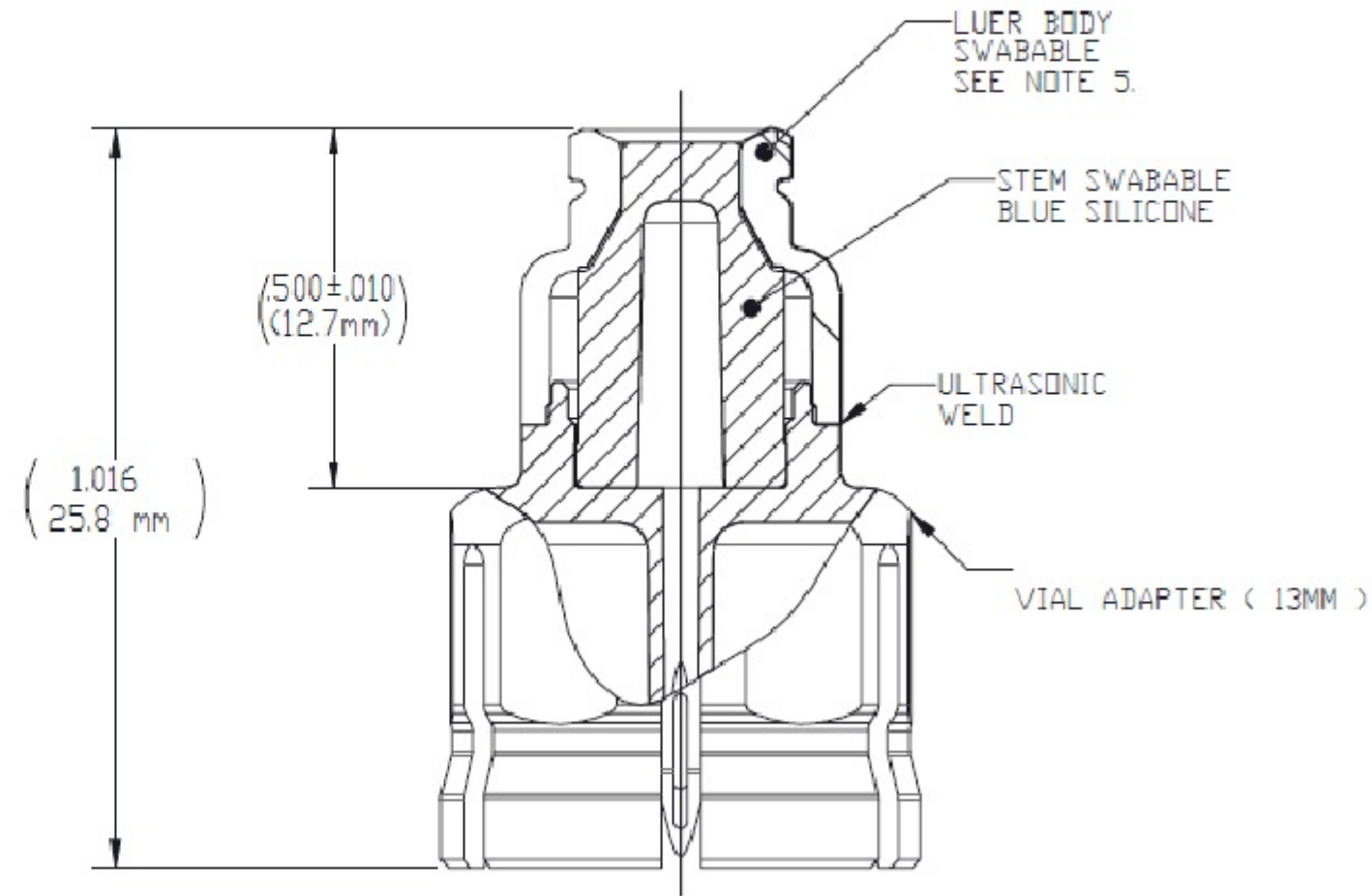


NOTES: FOR ADDITIONAL DETAILS, PLEASE CONTACT VP CUSTOMER SERVICE
 DIMENSIONS MARKED \circ ARE CONTROL DIMENSIONS

REVISIONS			
REV.	DESCRIPTION	DATE	APPROVED
A	INITIAL RELEASE	01-08-14	S.N.R



NOTES:

1. CLEAR POLYCARBONATE
2. CRITICAL DIMENSIONS ARE CIRCLED AND ARE SUBJECT TO INSPECTION.
3. DIMENSIONS IN PARENTHESES ARE FOR REFERENCE ONLY.
4. ALL DIMENSIONS ARE IN INCHES WITH NOMINAL DIMENSIONS IN MILLIMETERS BELOW.
5. LUER COMPATIBLE WITH ISO594-2.

VALVE SPECIFICATION:

PRIMING VOLUME: 0.06 ML
 BACK PRESSURE: > 30 PSI, REF. (2.1 BAR) (40 PSI NOMINAL)
 FLOW RATE: 200 ML/ MIN. 12,000 ML/HR @ 1 PSI, (0.07 BAR) (30 INCHES HEAD HEIGHT).
 BIOCOMPATABILITY: PASSES ISO 10993, PART 1.
 MATERIALS: ALL MATERIALS ARE GAMMA RESISTANT, MEET USP CLASS VI; ARE DEHP, AND LATEX FREE.
 POTENTIAL STERILIZATION: ETO; AND GAMMA, BASED ON RAW MATERIAL SPECIFICATIONS.

UNLESS OTHERWISE SPECIFIED DIMENSIONS ARE IN INCHES TOLERANCES ARE:		VALUE PLASTICS, INC			
FRACTIONS DECIMAL ANGULAR ± .XX ±.01 ± 1° .XXX ±.005 .XXXX ±.001		PART NUMBER: NVF13VPC			
DO NOT SCALE DRAWING		DESCRIPTION: Swabable Vial Adapter 13mm, Clear Polycarbonate			
DRAWN BY: Jonathan Mayer	DATE: 1/8/2014	SIZE: B	SCALE: NTS	VER: 	DWG. NO. REV 1027671 A
MANAGER: Ravi Narayanan		© 2011 VALUE PLASTICS, INC			SHEET: 1 OF 1

FOR REFERENCE ONLY