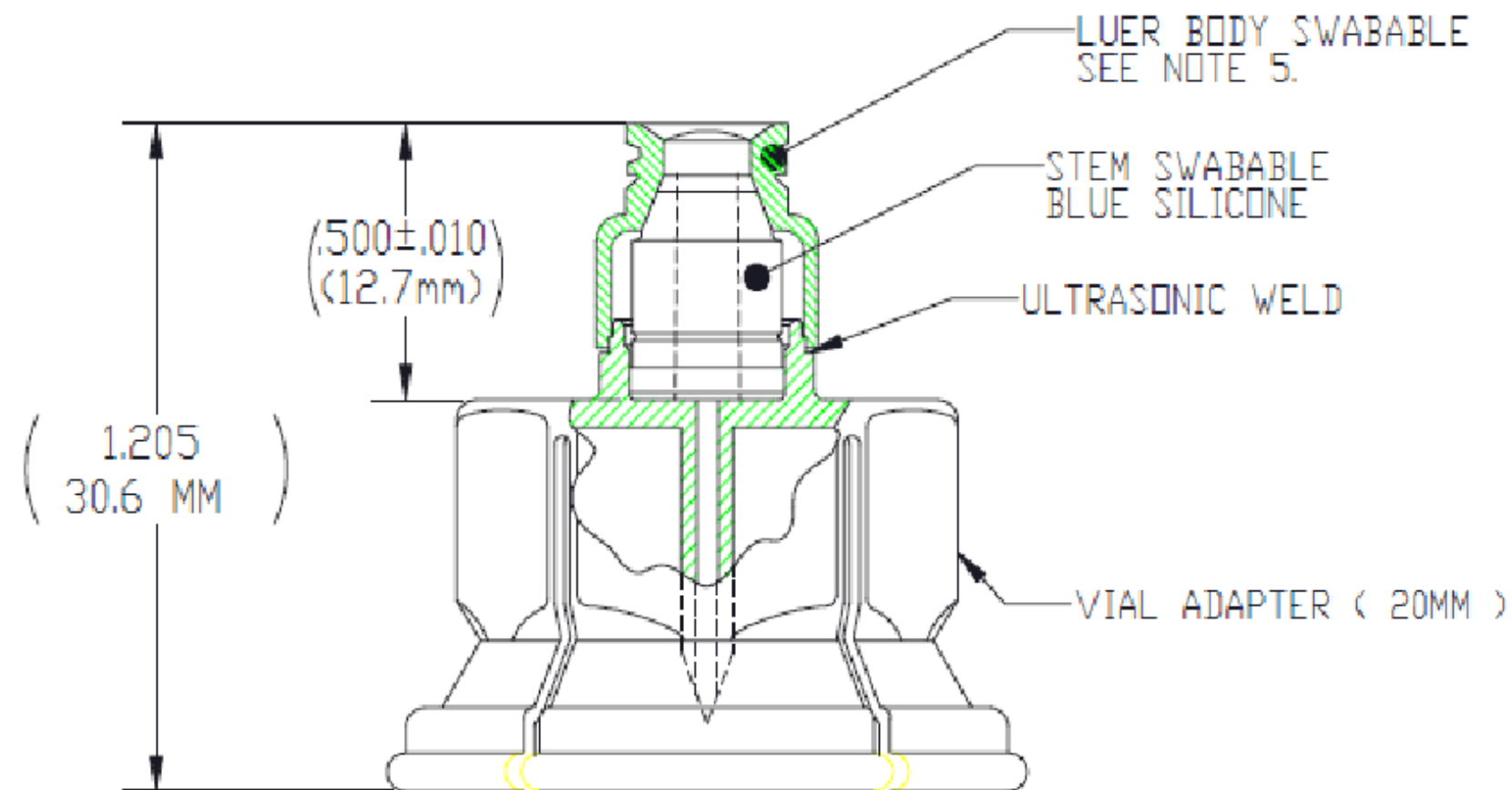


NOTES: FOR ADDITIONAL DETAILS, PLEASE CONTACT VP CUSTOMER SERVICE  
DIMENSIONS MARKED  $\text{\textcircled{}}$  ARE CONTROL DIMENSIONS

REVISIONS			
REV.	DESCRIPTION	DATE	APPROVED
A	INITIAL RELEASE	01-08-14	S.N.R



NOTES:

1. CLEAR POLYCARBONATE
2. CRITICAL DIMENSIONS ARE CIRCLED AND SUBJECT TO INSPECTION
3. DIMENSIONS IN PARENTHESES ARE REFERENCE ONLY.
4. ALL DIMENSIONS ARE IN INCHES WITH NOMINAL DIMENSION IN MILLIMETERS BELOW.
5. LUER COMPATIBLE WITH ISO594-2.

VALVE SPECIFICATION:

PRIMING VOLUME: .06 ML  
 BACK PRESSURE: > 30 PSI, REF. ( 2.1 BAR ). ( 40 PSI NOMINAL ).  
 FLOW RATE: 200 ML/MIN. 12,000 ML/HR, @ 1 PSI, ( .07 BAR ) (30 IN HEAD HEIGHT).  
 BIODECOMPATABILITY: PASSES ISO 10993, PART 1.  
 MATERIALS: ALL MATERIALS ARE GAMMA RESISTANT,  
 MEET USP CLASS VI: DEHP FREE AND LATEX FREE.  
 POTENTIAL STERILIZATION: ETO; AND GAMMA, BASED ON RAW MATERIAL SPECIFICATION.

UNLESS OTHERWISE SPECIFIED DIMENSIONS ARE IN INCHES TOLERANCES ARE:		<b>VALUE PLASTICS, INC</b>			
FRACTIONS    DECIMAL    ANGULAR ±            .XX ±.01            ± 1° .XXX ±.005 .XXXX ±.001		PART NUMBER: NVF20VPC			
DO NOT SCALE DRAWING		DESCRIPTION: Swabable Vial Access, Assy 20mm, Clear Polycarbonate			
DRAWN BY: Jonathan Mayer	DATE: 1/8/2014	SIZE: <b>B</b>	SCALE: NTS	VER:	DWG. NO. 1027670
MANAGER: Ravi Narayanan		© 2011 VALUE PLASTICS, INC			REV A
				SHEET:	1 OF 1

**FOR REFERENCE ONLY**