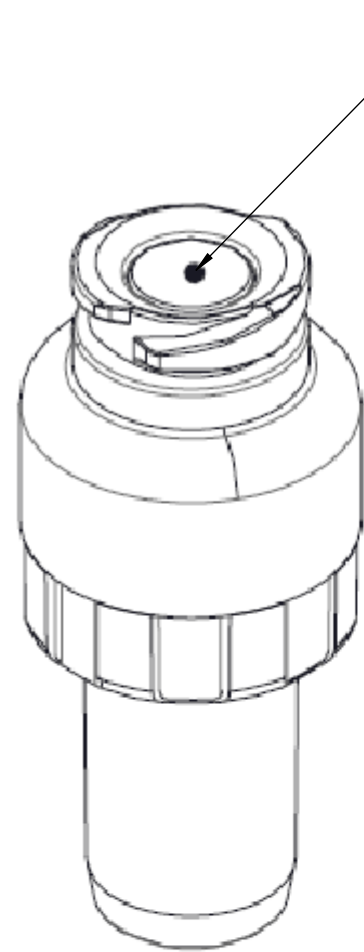
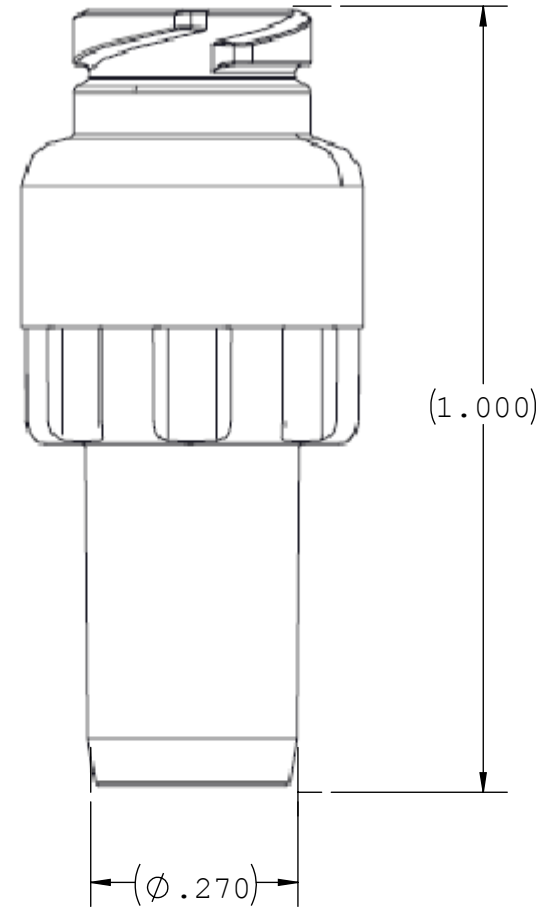
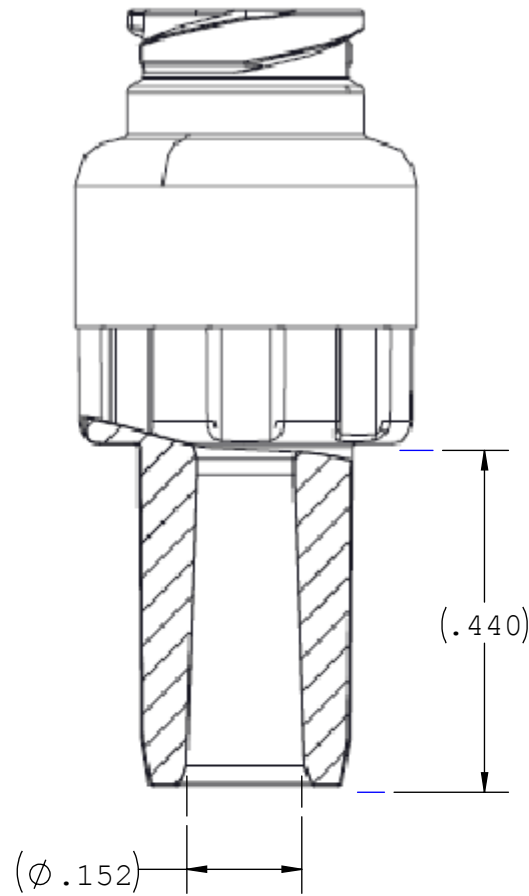


NOTES: FOR ADDITIONAL DETAILS, PLEASE CONTACT VP CUSTOMER SERVICE  
 DIMENSIONS MARKED  $\square$  ARE CONTROL DIMENSIONS

REVISIONS			
REV.	DESCRIPTION	DATE	APPROVED
A	INITIAL RELEASE	01-08-14	S.N.R



STEM SWABABLE  
 BLUE SILICON



NOTES:

1. CLEAR POLYCARBONATE
2. REFERENCE USAGE: UNIT WILL FIT 6.6mm (.260") I.D. TUBING
3. LUER COMPATIBLE WITH ISO 594-2

VALVE SPECIFICATION:

BACK PRESSURE > 30 PSI, REF. (2.1BAR) (40 PSI NOMINAL)  
 FLOW RATE AVERAGES: FLOW RATE @ 1 PSI: 500ml/min. (21,000ml/hr @ 30" HEIGHT).  
 BIOCOMPATIBILITY: PASSES ISO 10993 PART 1.  
 MATERIALS: ALL MATERIALS ARE GAMMA RESISTANT, MEET USP CLASS VI: ARE DEHP AND LATEX FREE.  
 POTENTIAL STERILIZATION: ETO; AND GAMMA, BASED ON RAW MATERIAL SPECIFICATIONS.

UNLESS OTHERWISE SPECIFIED DIMENSIONS ARE IN INCHES TOLERANCES ARE:		<b>VALUE PLASTICS, INC</b>			
FRACTIONS ±	DECIMAL .XX ±.01 .XXX ±.005 .XXXX ±.001	ANGULAR ± 1°	PART NUMBER: NVFBGPC		
DO NOT SCALE DRAWING			DESCRIPTION: Swabable Bag Access Port, Clear Polycarbonate		
DRAWN BY: Jonathan Mayer	DATE: 1/8/2014	SIZE: <b>B</b>	SCALE: NTS	VER: 	DWG. NO. 1027673
MANAGER: Ravi Narayanan		© 2011 VALUE PLASTICS, INC			REV A
SHEET: 1 OF 1					

**FOR REFERENCE ONLY**