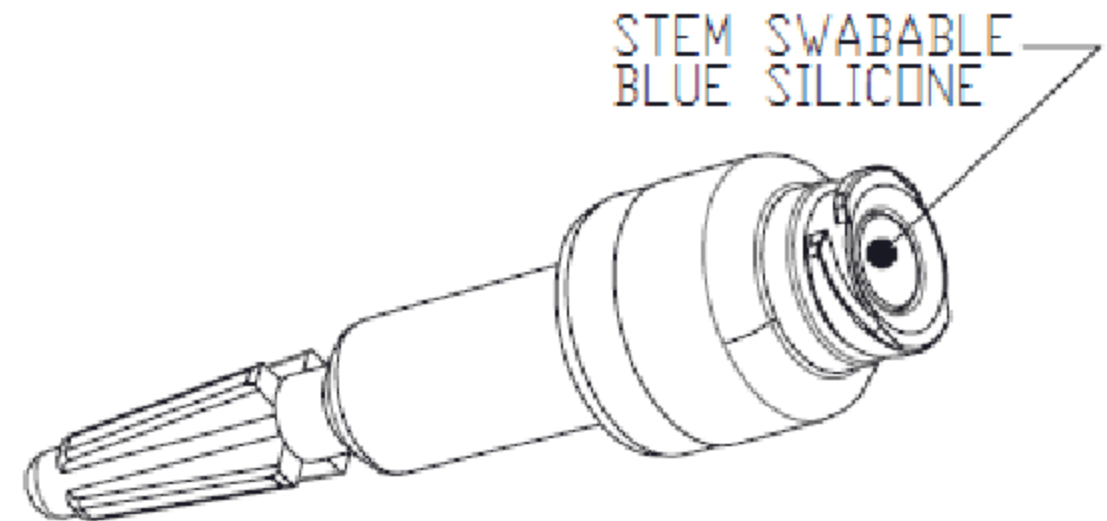
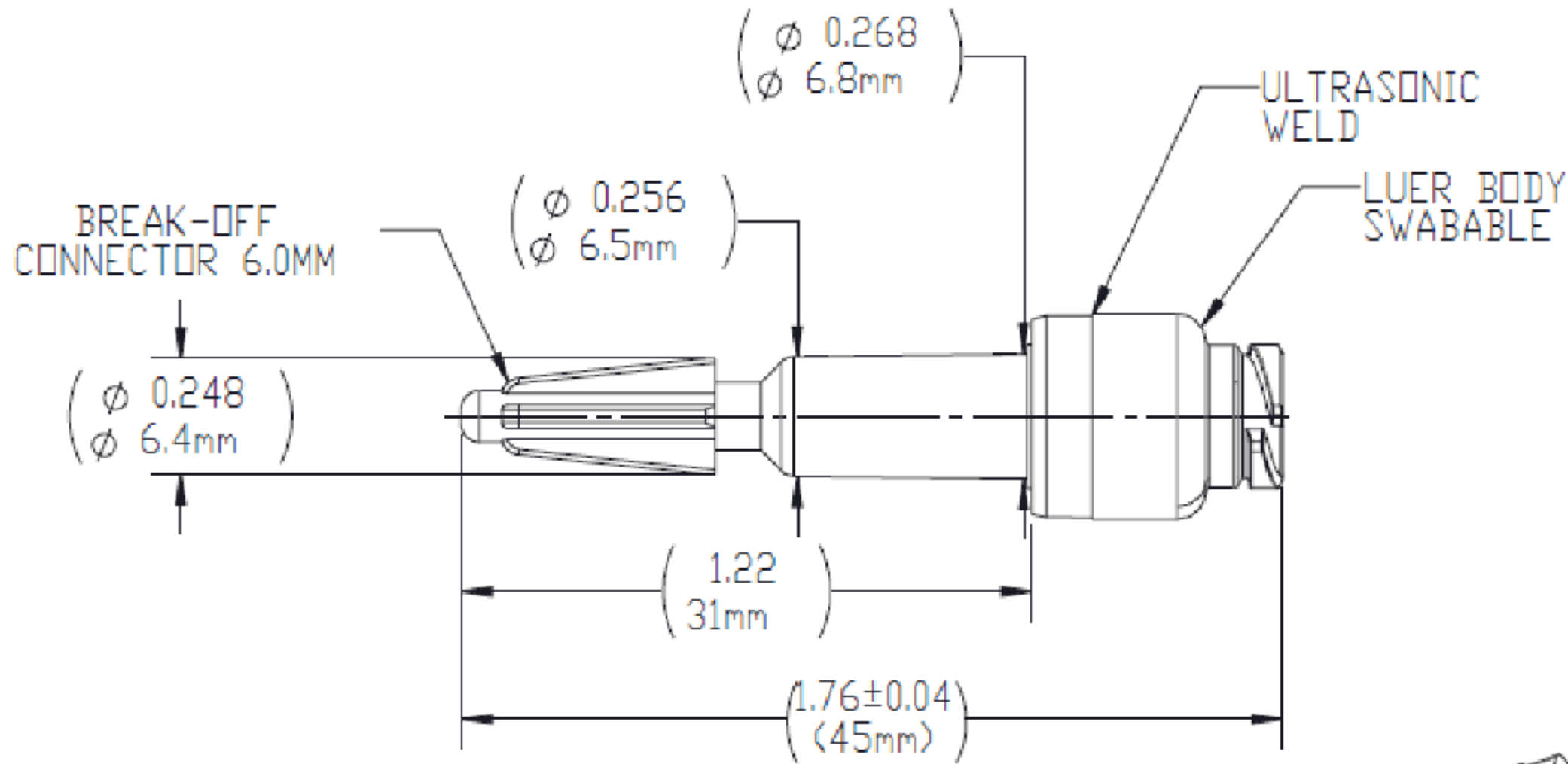


NOTES: FOR ADDITIONAL DETAILS, PLEASE CONTACT VP CUSTOMER SERVICE
 DIMENSIONS MARKED \varnothing ARE CONTROL DIMENSIONS

REVISIONS			
REV.	DESCRIPTION	DATE	APPROVED
A	INITIAL RELEASE	01-08-14	S.N.R



NOTES:

1. CLEAR POLYCARBONATE
2. REFERENCE USAGE: UNIT WILL FIT 6.0mm (.236") I.D. TUBING
3. LUER COMPATIBLE WITH ISO594-2

VALVE SPECIFICATION:

PRIMING VOLUME: .30ml
 BACK PRESSURE > 15 PSI, REF. (1 BAR) (40 PSI NOMINAL)
 FLOW RATE: 200ml/MIN (12,000 ml/HR) @ 1PSI, (.07BAR) (30 INCHES HEAD HEIGHT)
 BIOCOMPATIBILITY: PASSES ISO 10993 PART 1.
 MATERIALS: ALL MATERIALS ARE GAMMA RESISTANT, MEET USP CLASS VI: ARE DEHP AND LATEX FREE.
 POTENTIAL STERILIZATION: ETO; STEAM, AND GAMMA, BASED ON RAW MATERIAL SPECIFICATIONS.

UNLESS OTHERWISE SPECIFIED DIMENSIONS ARE IN INCHES TOLERANCES ARE:		VALUE PLASTICS, INC			
FRACTIONS ±	DECIMAL .XX ±.01 .XXX ±.005 .XXXX ±.001	ANGULAR ± 1°	PART NUMBER: NVFBV60PC		
DO NOT SCALE DRAWING		DESCRIPTION: Bag Break-Off Port 6.0mm, Clear Polycarbonate			
DRAWN BY: Jonathan Mayer	DATE: 1/8/2014	SIZE: B	SCALE: NTS	VER: 	DWG. NO. 1027674
MANAGER: Ravi Narayanan		© 2011 VALUE PLASTICS, INC			REV A
SHEET: 1 OF 1					

FOR REFERENCE ONLY