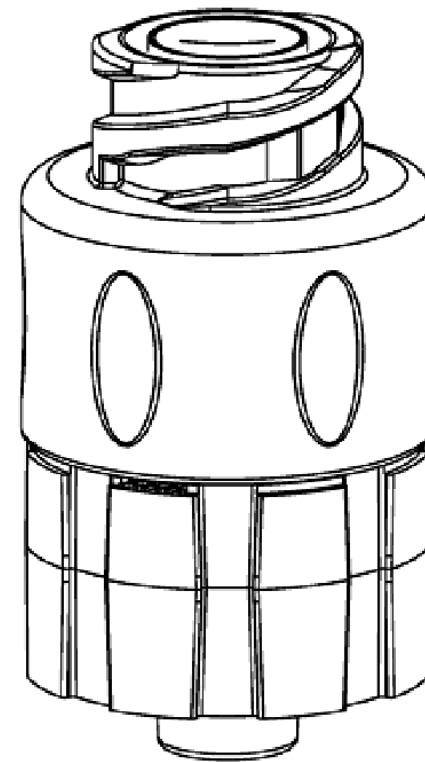
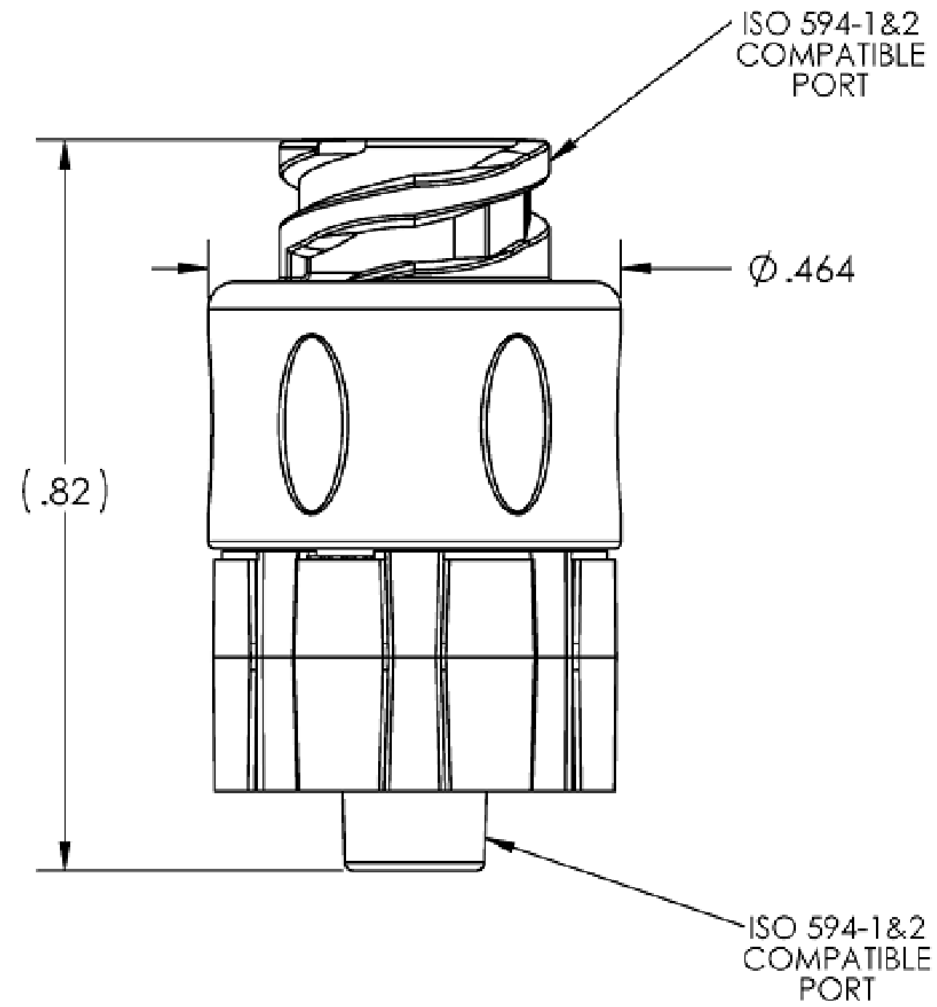


NOTES: FOR ADDITIONAL DETAILS, PLEASE CONTACT VP CUSTOMER SERVICE
 DIMENSIONS MARKED \square ARE CONTROL DIMENSIONS

REVISIONS			
REV.	DESCRIPTION	DATE	APPROVED
A	INITIAL RELEASE	04-05-16	FJL



UNLESS OTHERWISE SPECIFIED DIMENSIONS ARE IN INCHES TOLERANCES ARE:		VALUE PLASTICS, INC			
FRACTIONS DECIMAL ANGULAR ± .XX ±.01 ± 1° .XXX ±.005 .XXXX ±.001		PART NUMBER: NVFMLLS-001			
DO NOT SCALE DRAWING		DESCRIPTION: NEEDLEFREE VALVE FEMALE LUER TO MALE LUER LOCK, SWABBABLE VALVE			
DRAWN BY: marie.morleyjahn	DATE: 5/3/2016	SIZE: B	SCALE: NTS	VER: 	DWG. NO. REV 1039671 A
MANAGER: Frank.Lombardi		© 2014 VALUE PLASTICS, INC			SHEET: 1 OF 1

FOR REFERENCE ONLY