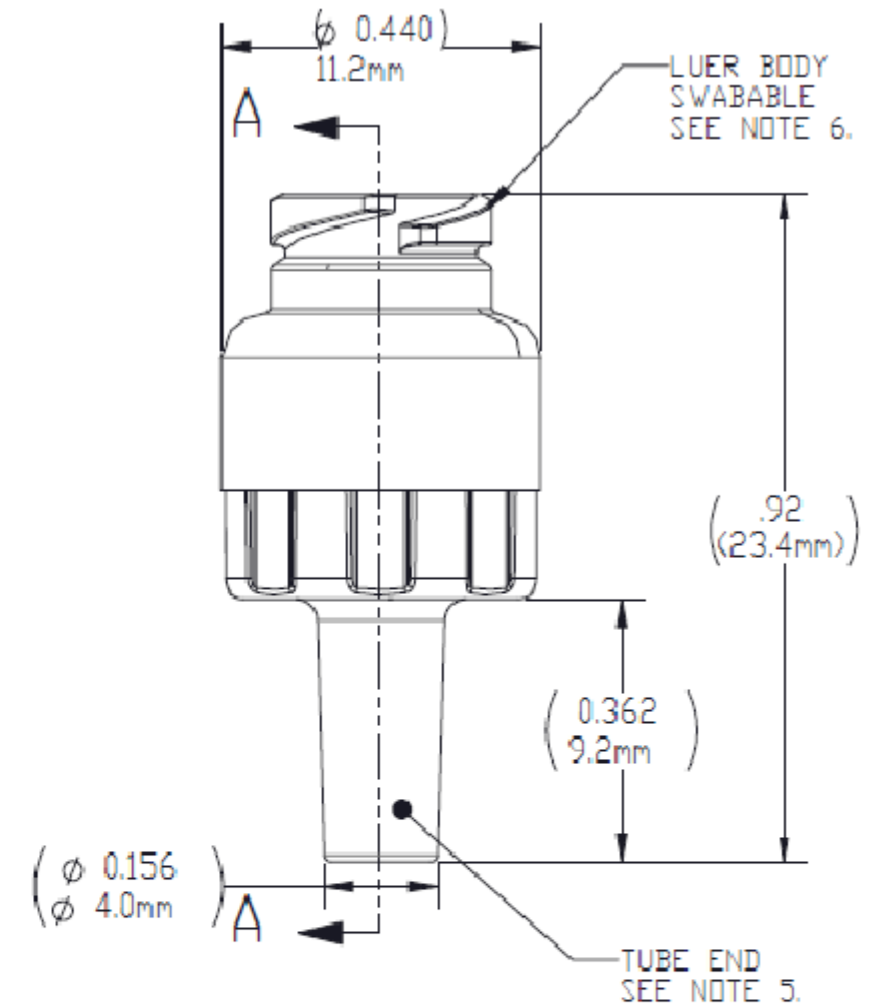
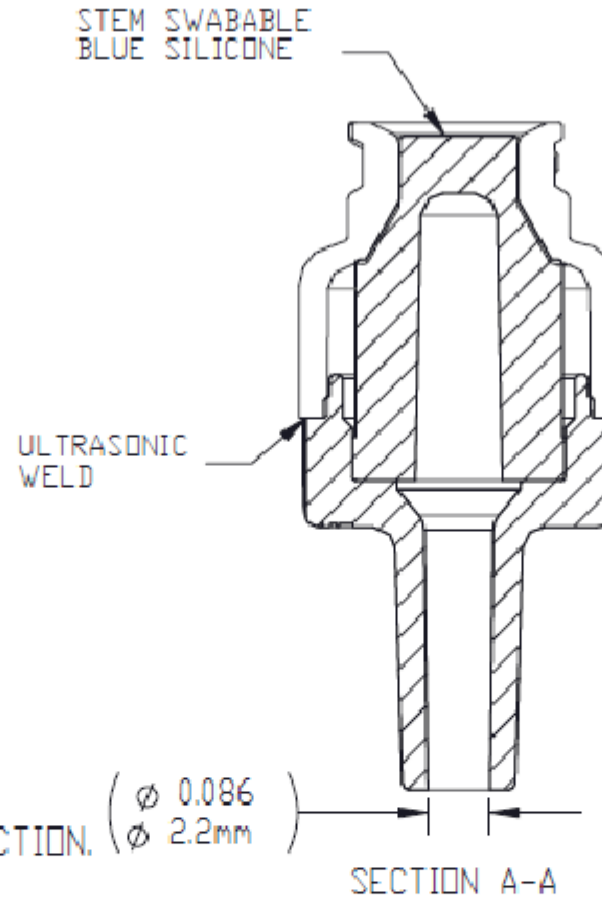
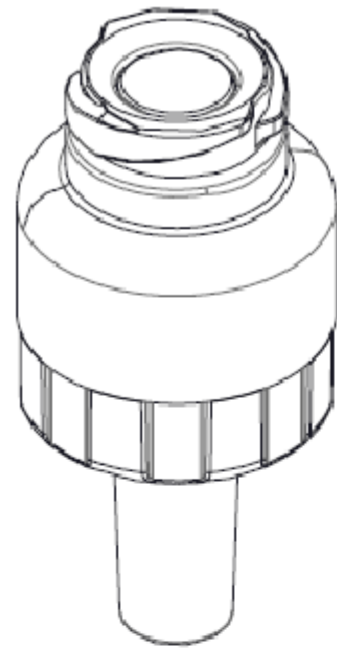


NOTES: FOR ADDITIONAL DETAILS, PLEASE CONTACT VP CUSTOMER SERVICE
DIMENSIONS MARKED \circlearrowleft ARE CONTROL DIMENSIONS

REVISIONS			
REV.	DESCRIPTION	DATE	APPROVED
A	INITIAL RELEASE	01-08-14	S.N.R



NOTES:

1. CLEAR POLYCARBONATE
2. CRITICAL DIMENSIONS ARE CIRCLED AND SUBJECT TO INSPECTION.
3. DIMENSIONS IN PARENTHESES, ARE REFERENCE ONLY.
4. ALL DIMENSIONS ARE IN INCHES WITH NOMINAL DIMENSIONS IN MILLIMETERS BELOW.
5. REFERENCE USAGE: WILL FIT 4MM (0.157" ID TUBING).
6. SWABABLE FEMALE LUER COMPATIBLE WITH ISO 594-2.

VALVE SPECIFICATION:

PRIMING VOLUME: < 0.10 ml.
 BACK PRESSURE: > 30 PSI, REF. < 40 PSI NOMINAL)
 FLOW RATE AVERAGES: Flow Rate @ 1 psi: 360ml/min. (21,000ml/hr @ 30" HEIGHT.)
 BIOCOMPATIBILITY: PASSES ISO 10993, PART 1.
 MATERIALS: ALL MATERIALS ARE GAMMA RESISTANT, MEET USP CLASS VI; ARE DEHP, AND LATEX FREE.
 POTENTIAL STERILIZATION: ETO; AND GAMMA, BASED ON RAW MATERIAL SPECIFICATIONS.

UNLESS OTHERWISE SPECIFIED DIMENSIONS ARE IN INCHES TOLERANCES ARE:		VALUE PLASTICS, INC				
FRACTIONS	DECIMAL					ANGULAR
±	.XX ±.01 .XXX ±.005 .XXXX ±.001	± 1°	DESCRIPTION:	Bondable Valve, Clear Polycarbonate		
DO NOT SCALE DRAWING		SIZE:	SCALE:	VER:	DWG. NO.	REV
DRAWN BY:	DATE:	B	NTS		1027679	A
MANAGER:		© 2011 VALUE PLASTICS, INC			SHEET:	1 OF 1
Jonathan Mayer 1/8/2014		Ravi Narayanan				

FOR REFERENCE ONLY